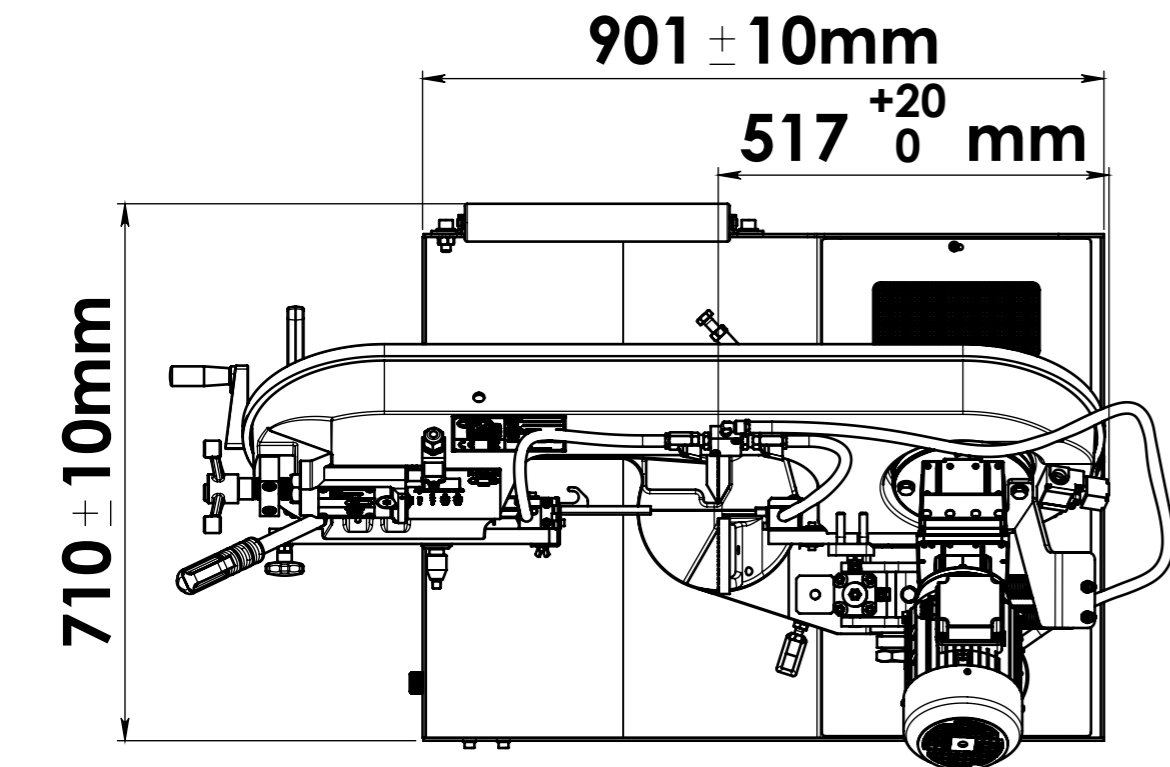
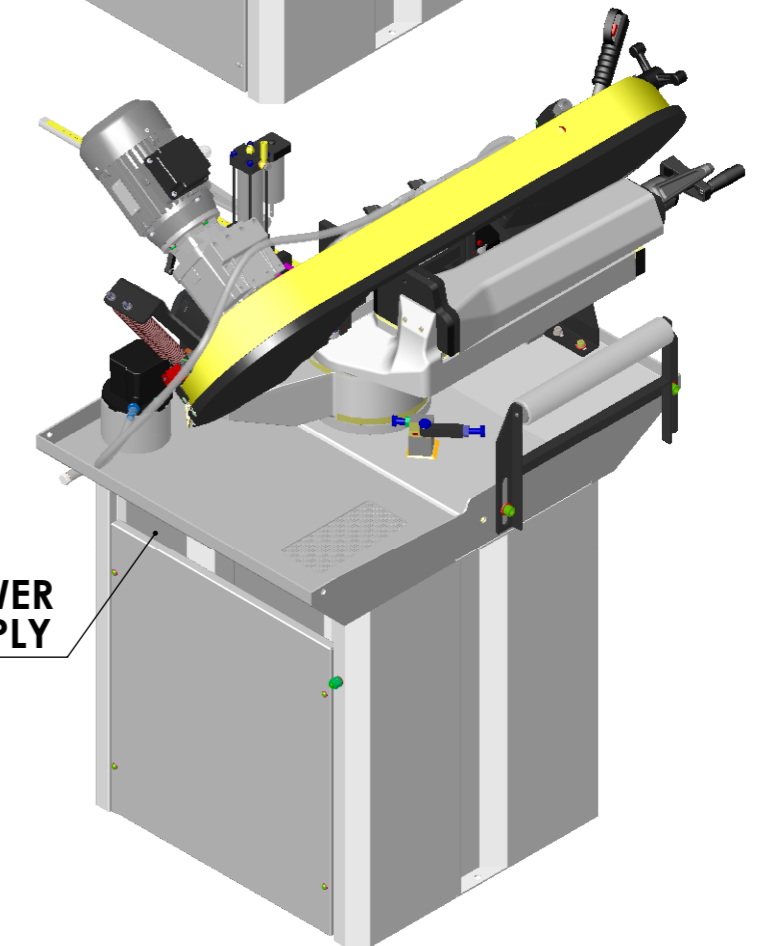
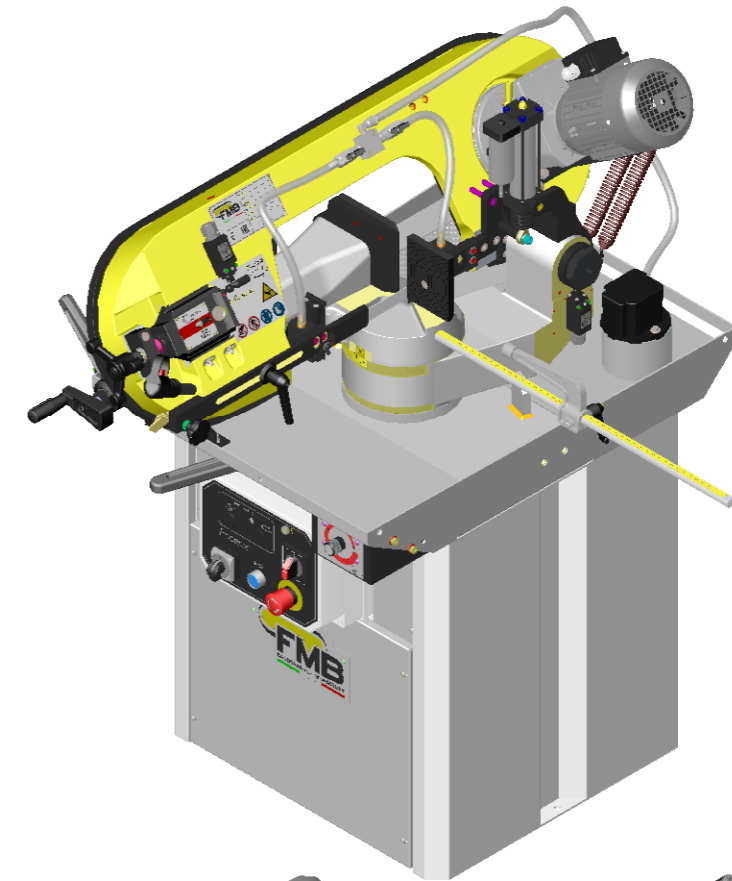
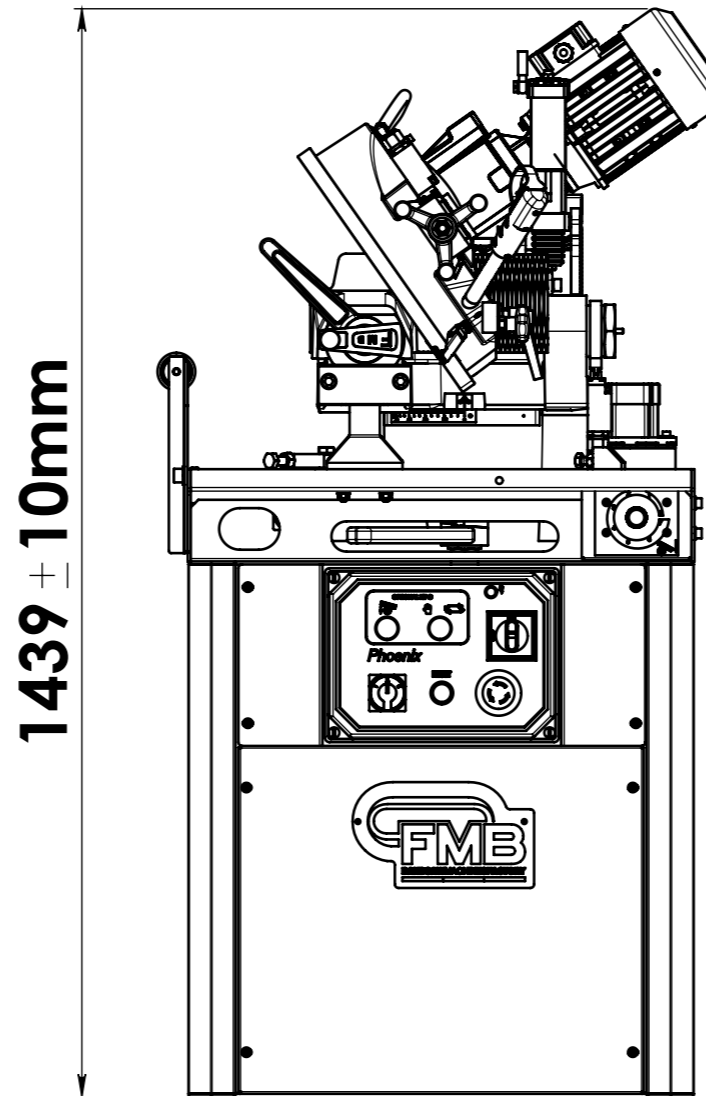
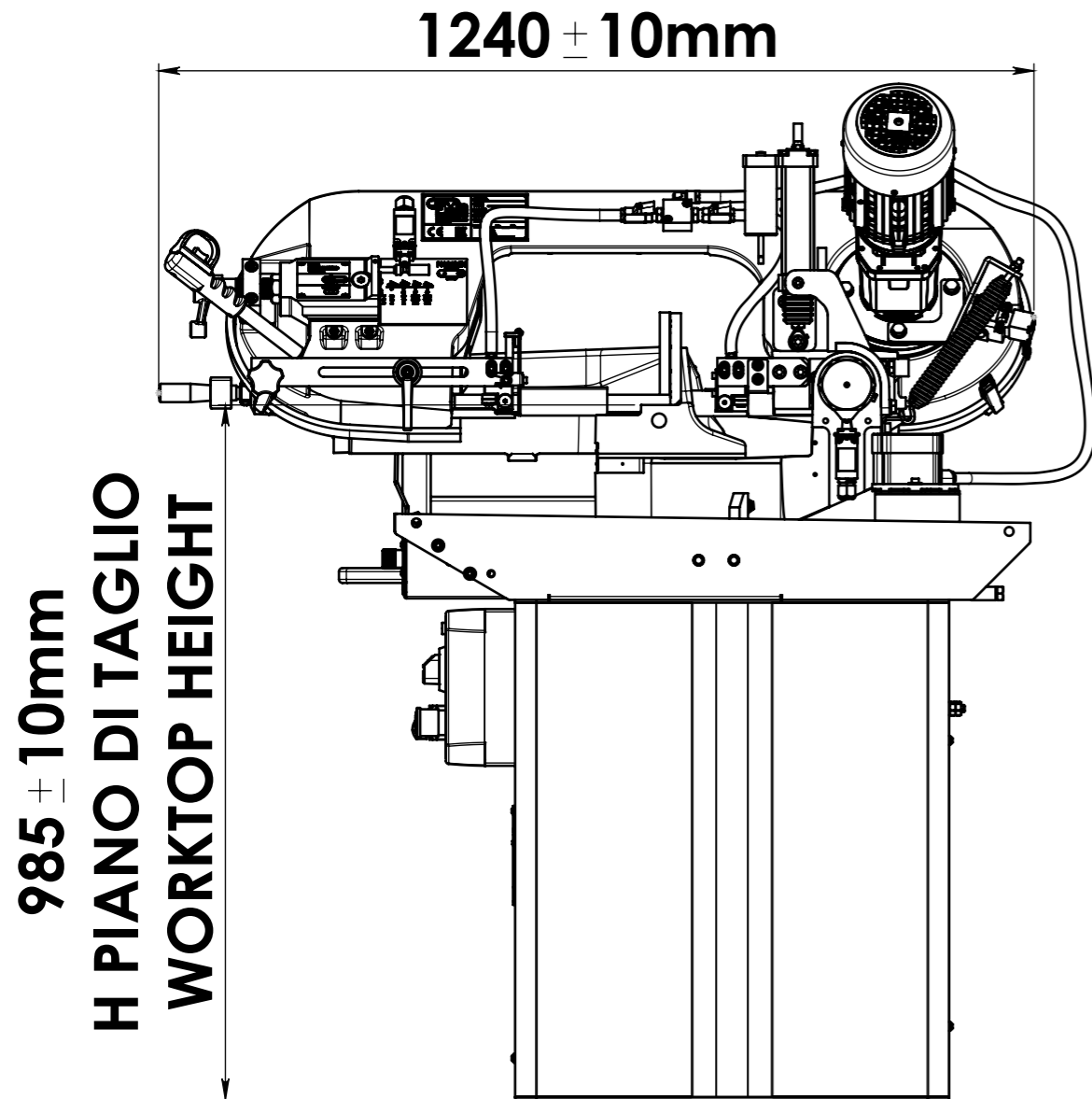


LAYOUT PHOENIX



	DATE	DESCRIPTION		
	10-10-2023	PHOENIX		
DRAWN BY	-	SCALE	SIZE	SHEET 1 OF 1
		1:10	A3	

THE INFORMATION IN THIS DRAWING IS THE SOLE PROPERTY OF F.M.B. Srl. ANY REPRODUCTION IN PART OF AS A WHOLE WITHOUT THE PERMISSION OF F.M.B. Srl IS PROHIBITED.