

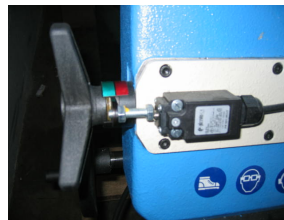
Machine Data-Sheet

MEBASwing 230 G

MEBASwing 230 DG



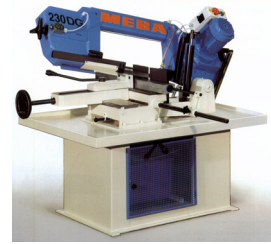
The smart choice for all-purpose bandsawing



MEBASwing 230 G



MEBASwing 230 DG

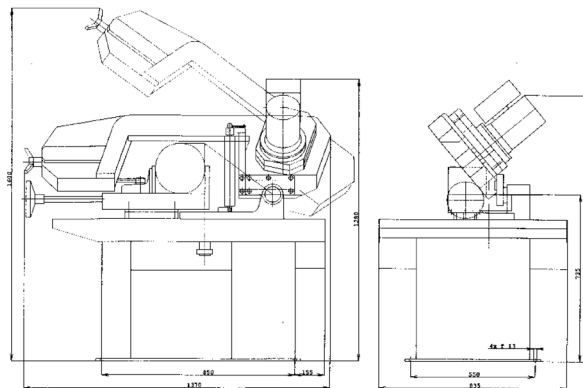


Standard equipment

- Fast adjustment of mitre, stepless from 30°-135°. With indication to accuracy on scale. The swivel is directly above the intersection of the saw blade and the fixed vice jaw so that there is a datum measuring point which does not change with the mitre angle.
- Positive stops at 30° + 45° left hand
- Fast material clamping. Material is always clamped at 90° (parallel) regardless of angle to be cut.
- Stepless cutting pressure regulation through weight of the heavy and rigid saw frame and the fine tuning depending on cross-section by hydraulic damping cylinder
- Complete Coolant system with immersed pump
- Material end stop with scale up to 500 mm
- Chip box inside
- Saw blade drive with end of cut stop
- Precise saw blade carbide-roller guidance
- Colour blue/beige (RAL 5012/1015)
- 1 bandsaw blade 4/6 tpi
- Instruction manual and spare parts list on CD-ROM

Standard equipment

- Fast adjustment of mitre, stepless from 30°-135°. With indication to accuracy on scale. The swivel is directly above the intersection of the saw blade and the fixed vice jaw so that there is a datum measuring point which does not change with the mitre angle.
- Positive stops at 30° + 45° right and 45° left hand
- Fast material clamping. Material is always clamped at 90° (parallel) regardless of angle to be cut.
- Stepless cutting pressure regulation through weight of the heavy and rigid saw frame and the fine tuning depending on cross-section by hydraulic damping cylinder
- Complete Coolant system with immersed pump
- Material end stop with scale up to 500 mm
- Chip box inside
- Saw blade drive with end of cut stop
- Precise saw blade carbide-roller guidance
- Colour blue/beige (RAL 5012/1015)
- 1 bandsaw blade 4/6 tpi
- Instruction manual and spare parts list on CD-ROM



Further MEBA products like saw blade, coolants, lubricants, material stock rollers and measuring devices are also available

Technical Data									
Type	model	30° lh	45° lh	90°	45° rh	30° rh	motor	saw blade	speed
230 G	manual	Ø 110 120x80	Ø 180 200x180	Ø 230 300x150	-	-	1,00 1,5 kW	2720x27x 0,9 mm	28/56 m/min
230 DG	manual	Ø 110 120x80	Ø 180 200x180	Ø 230 300x150	Ø 170 200x70	-	1,00 1,5 kW	2720x27x 0,9 mm	28/56 m/min

Typ	length of remaining piece without bundle clamping [mm]		length of remaining piece with bundle clamping [mm]		max. material size, bundle clamping	shortest Ø	dimensions (LxWxH)	working height	weight
	manual	auto	manual	auto	[mm]	[mm]	[mm]	[mm]	[kg]
230 G	20	-	-	-	option not available	5	840x1420x1230	735	230
230 DG	20	-	-	-	option not available	5	840x1420x1230	735	250

Technical data subject to change