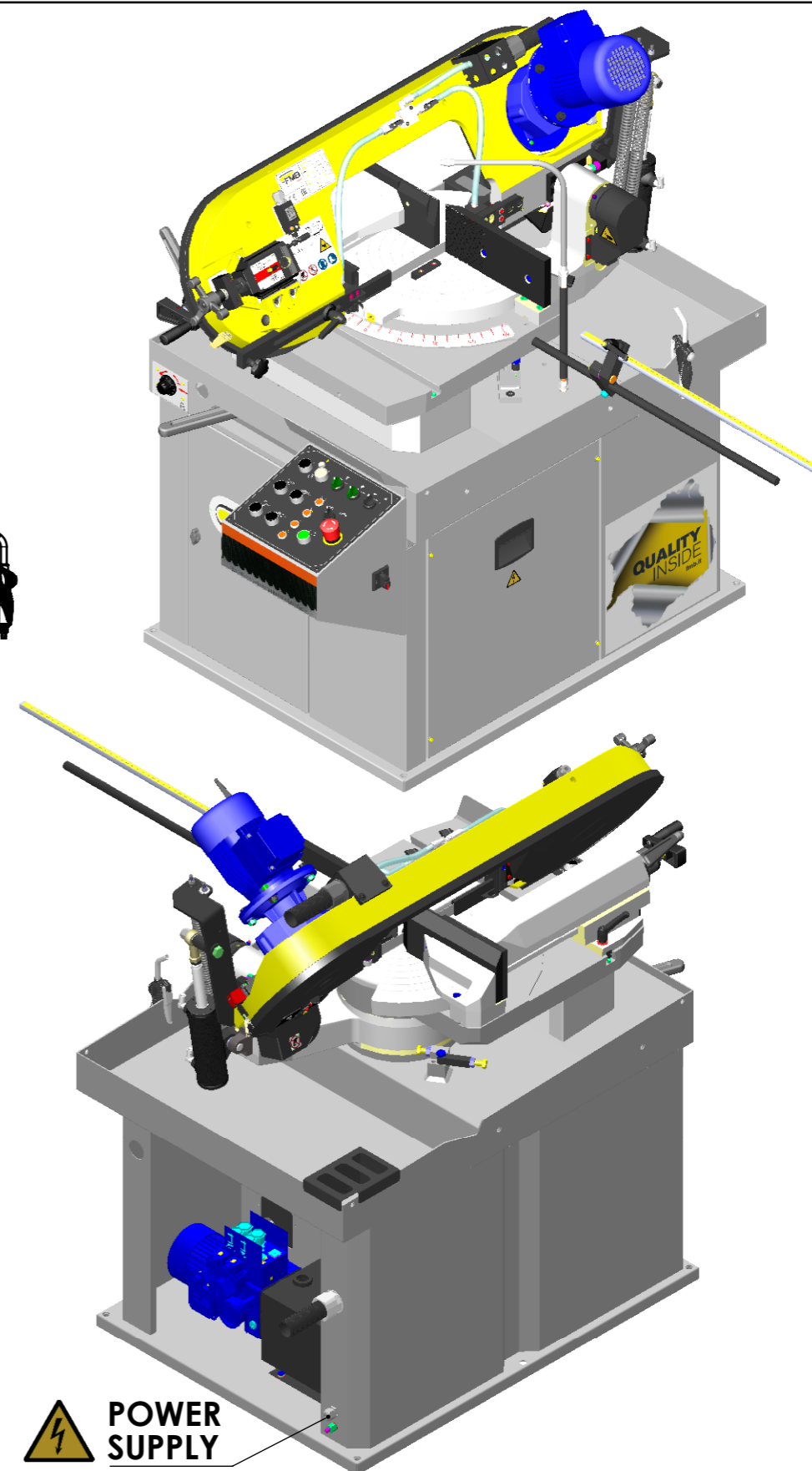
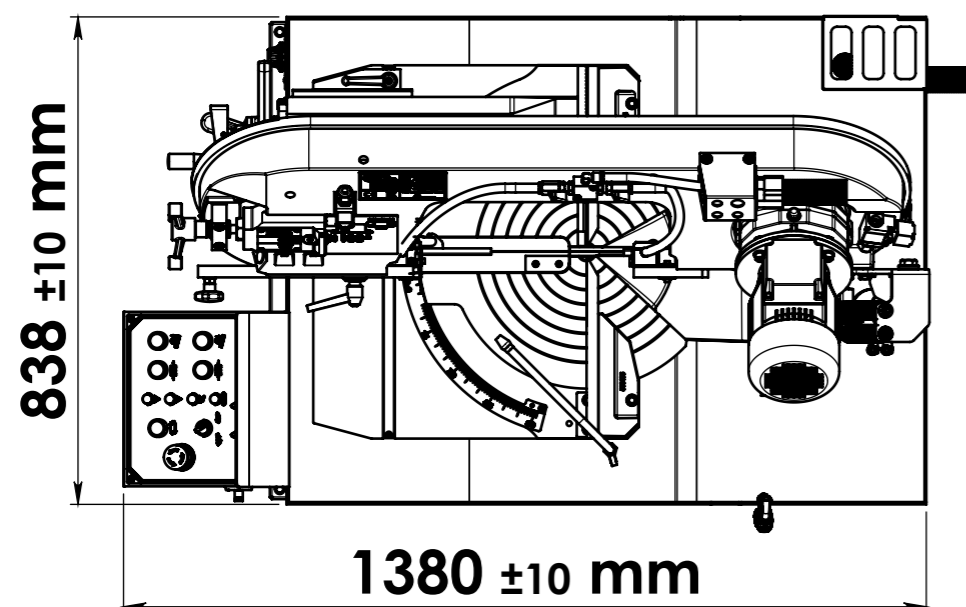
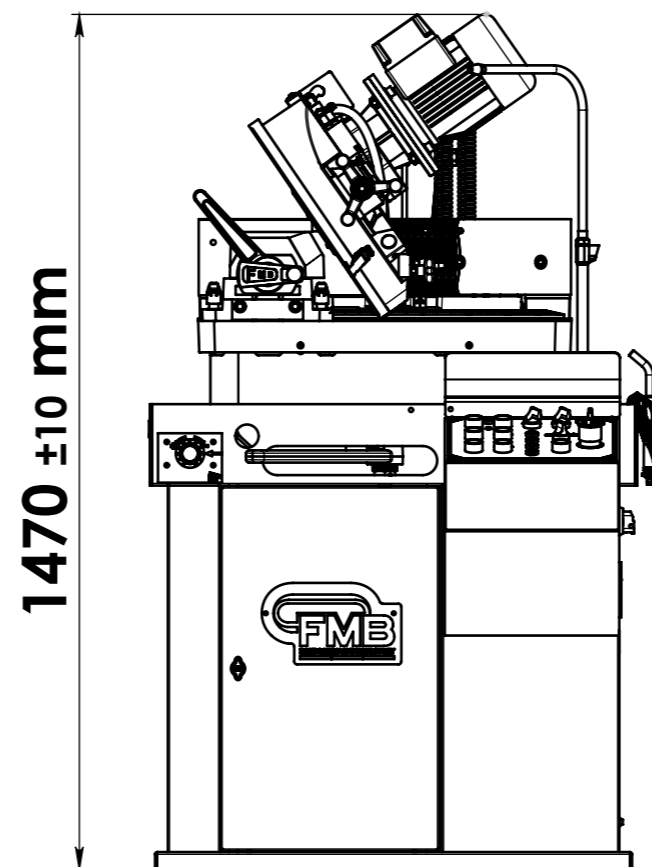
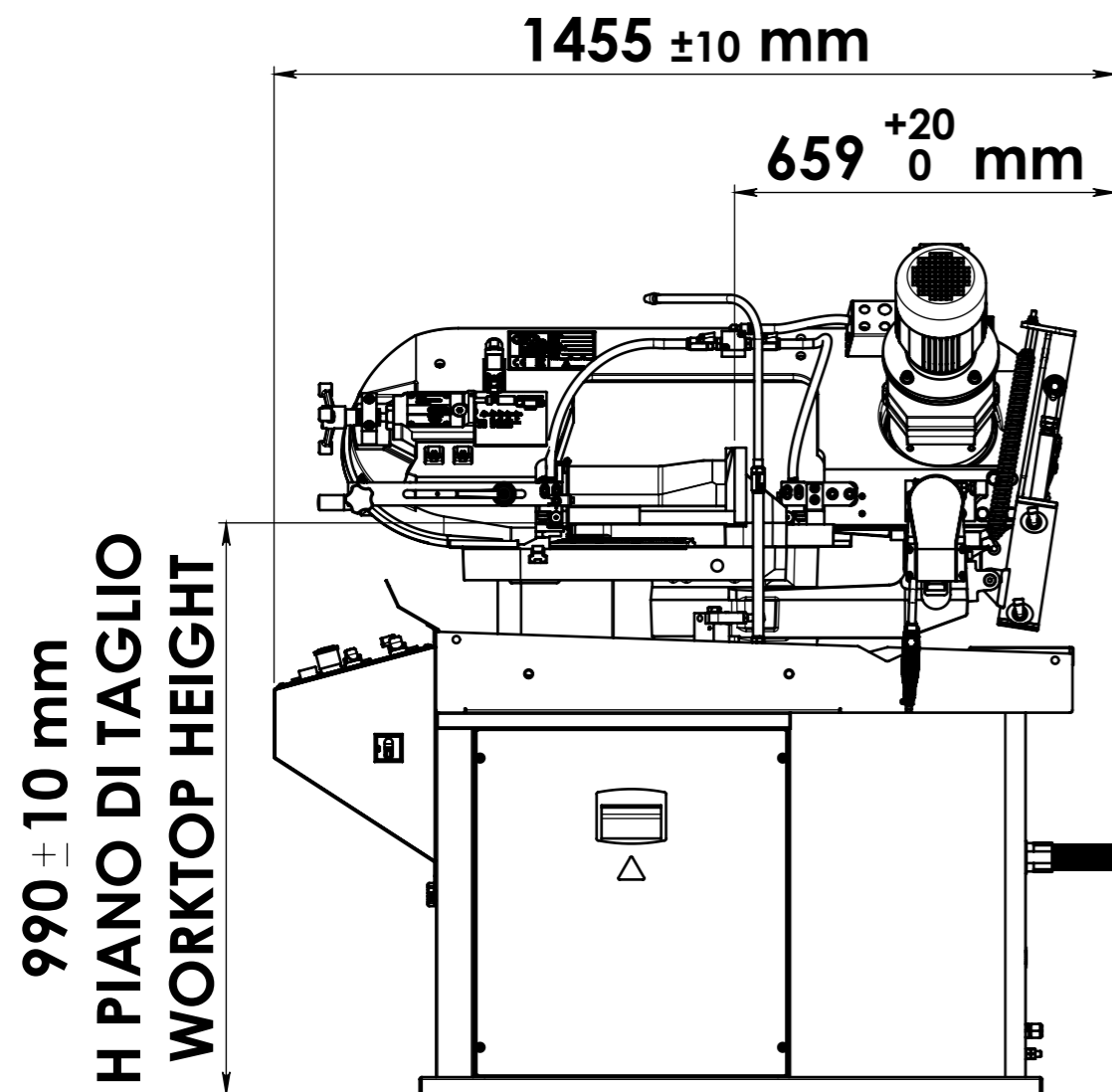


# LAYOUT CALIPSO



⚡ POWER SUPPLY

	DATE	DESCRIPTION		
	10-10-2023	<b>CALIPSO</b>		
	DRAWN BY	SCALE	SIZE	SHEET 1 OF 1
	-	1:13	A3	

THE INFORMATION IN THIS DRAWING IS THE SOLE PROPERTY OF F.M.B. S.r.l. ANY REPRODUCTION IN PART OR AS A WHOLE WITHOUT THE PERMISSION OF F.M.B. S.r.l IS PROHIBITED.