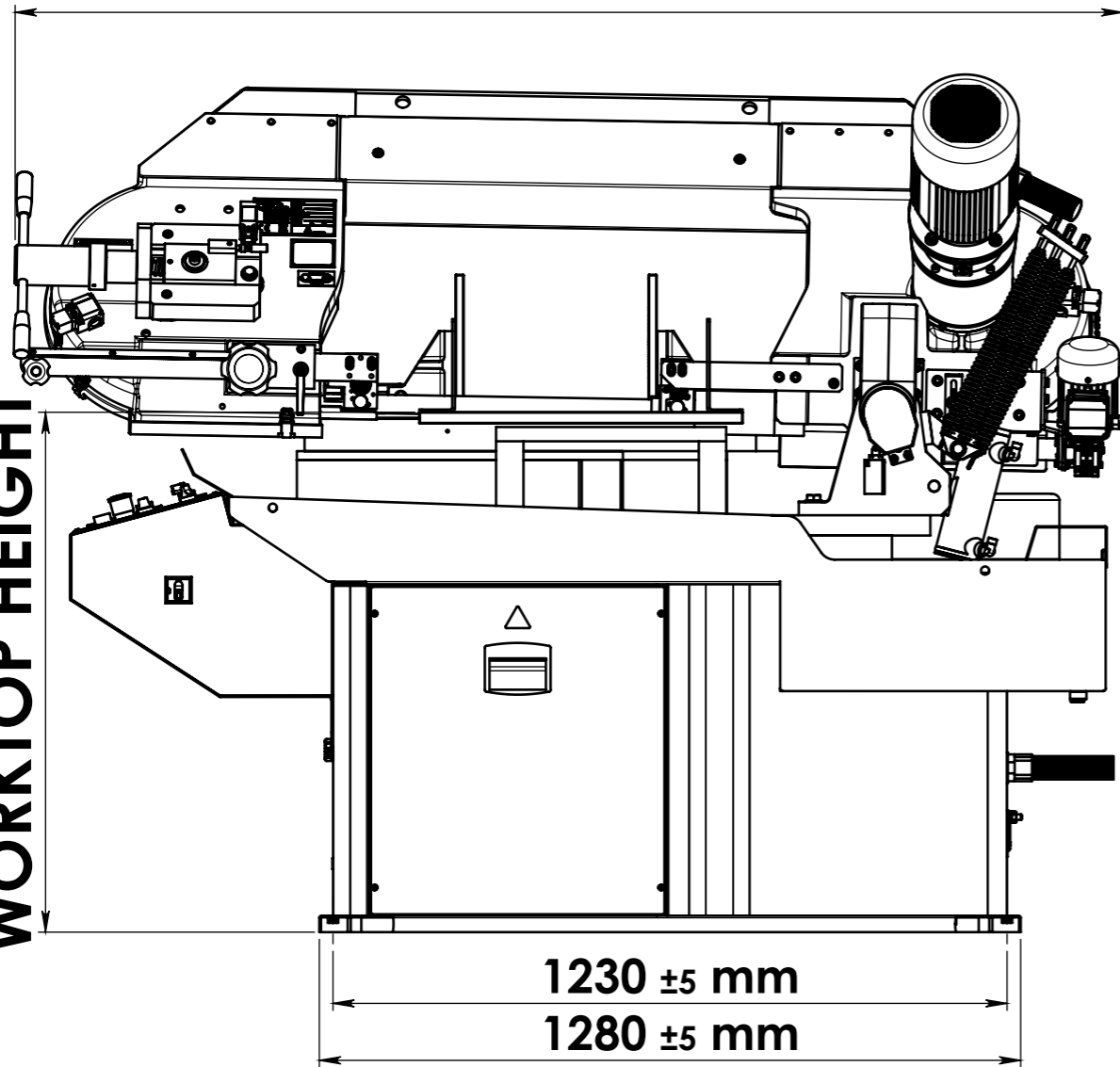


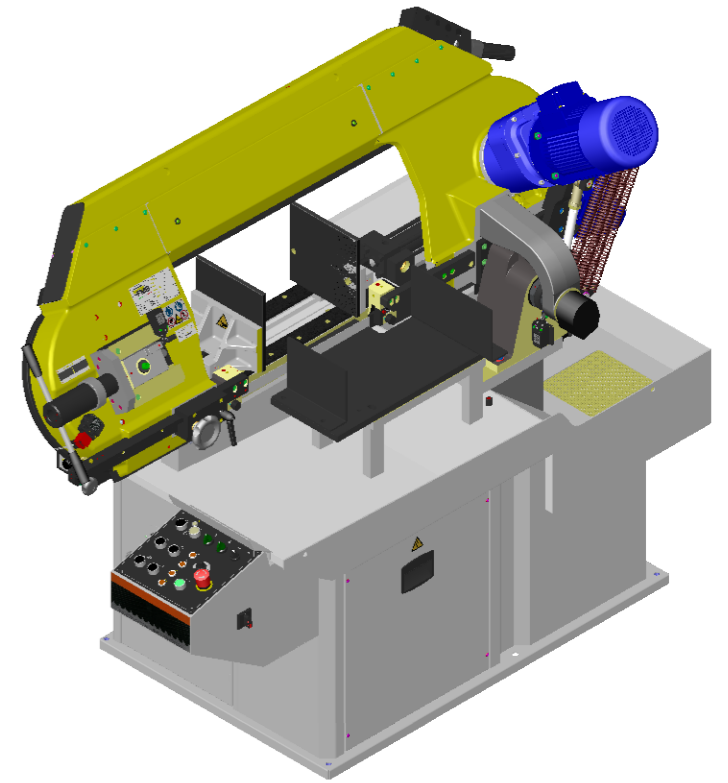
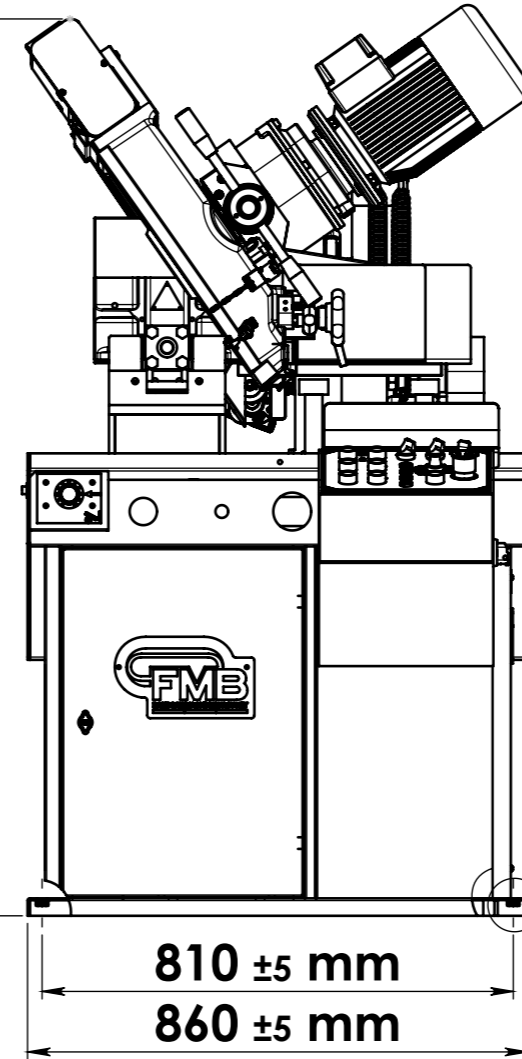
# LAYOUT HERCULES TUBES

2021 ±10 mm

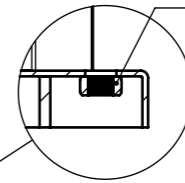
950 ±10 mm  
H PIANO DI TAGLIO  
WORKTOP HEIGHT



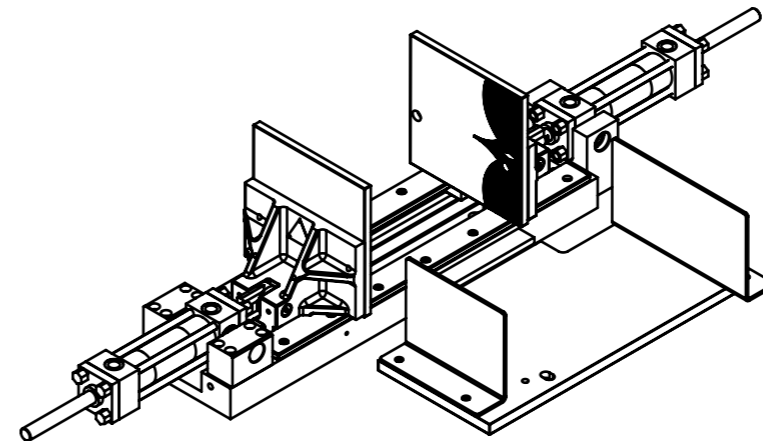
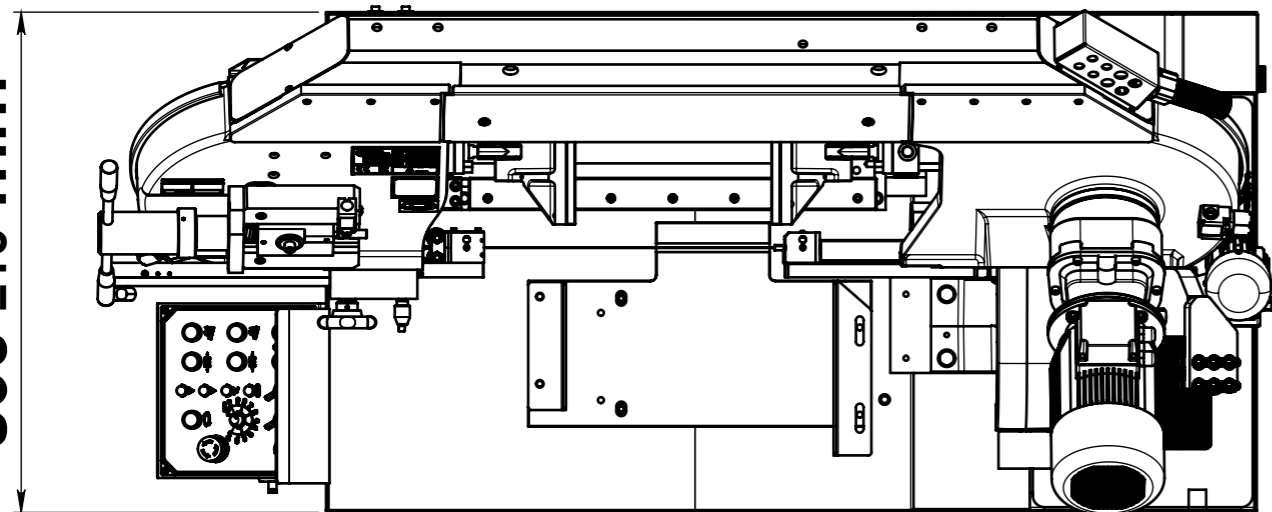
1542 ±10 mm



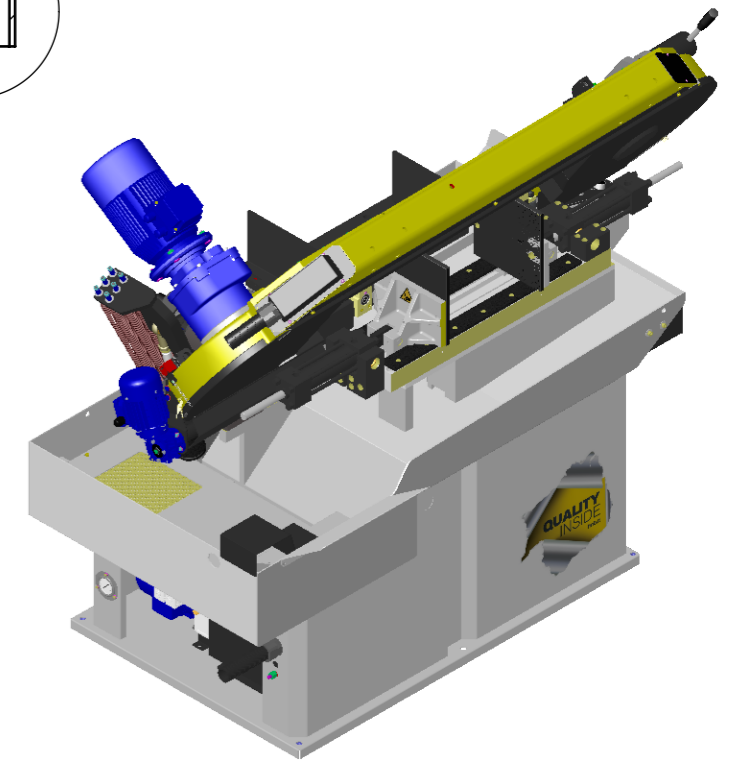
M12 N°4 DADI



860 ±10 mm



DETTAGLIO MORSA  
AUTOCENTRANTE



	DATE	DESCRIPTION		
	07-02-2024	<b>HERCULES TUBES</b>		
DRAWN BY	-	SCALE	SIZE	SHEET 1 OF 1
		1:13	A3	

THE INFORMATION IN THIS DRAWING IS THE SOLE PROPERTY OF F.M.B. Srl. ANY REPRODUCTION IN PART OF AS A WHOLE WITHOUT THE PERMISSION OF F.M.B. Srl IS PROHIBITED.