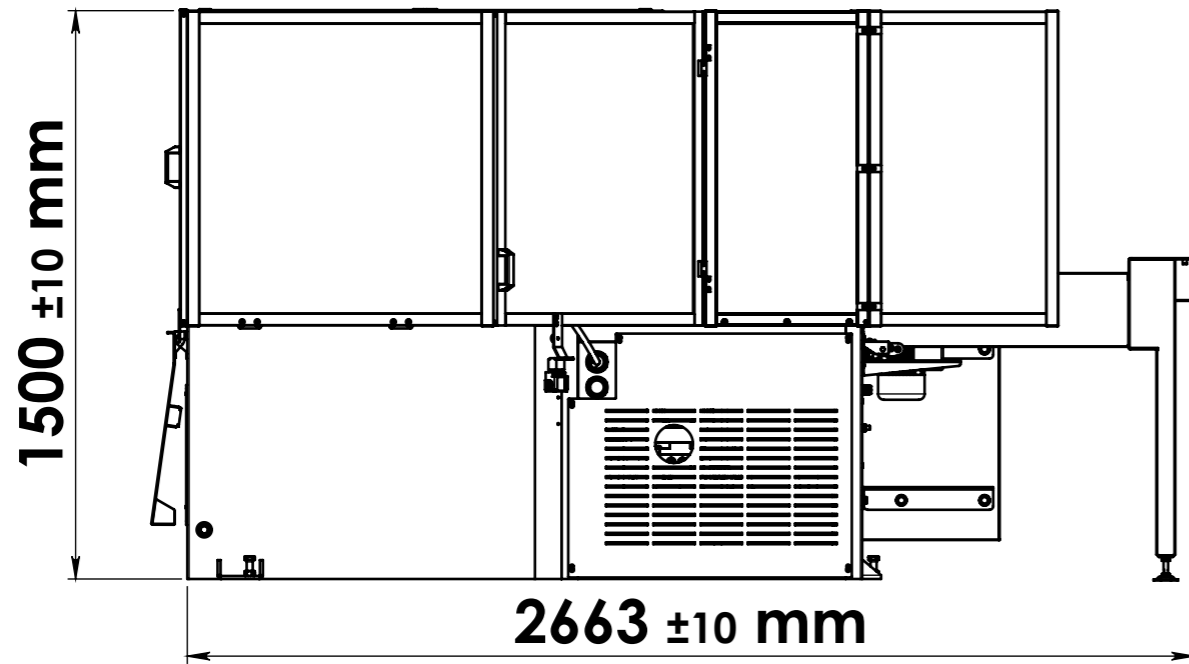
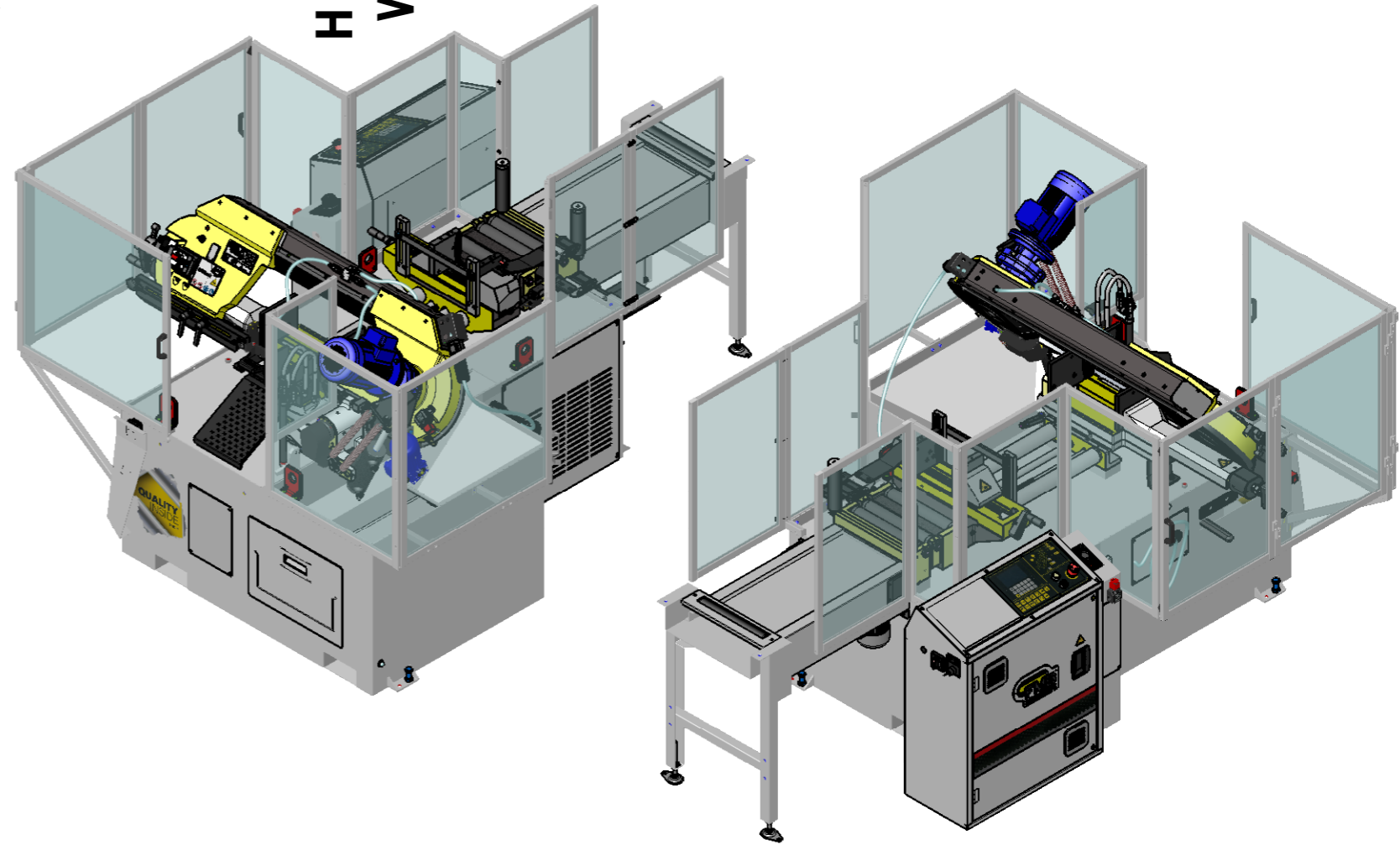
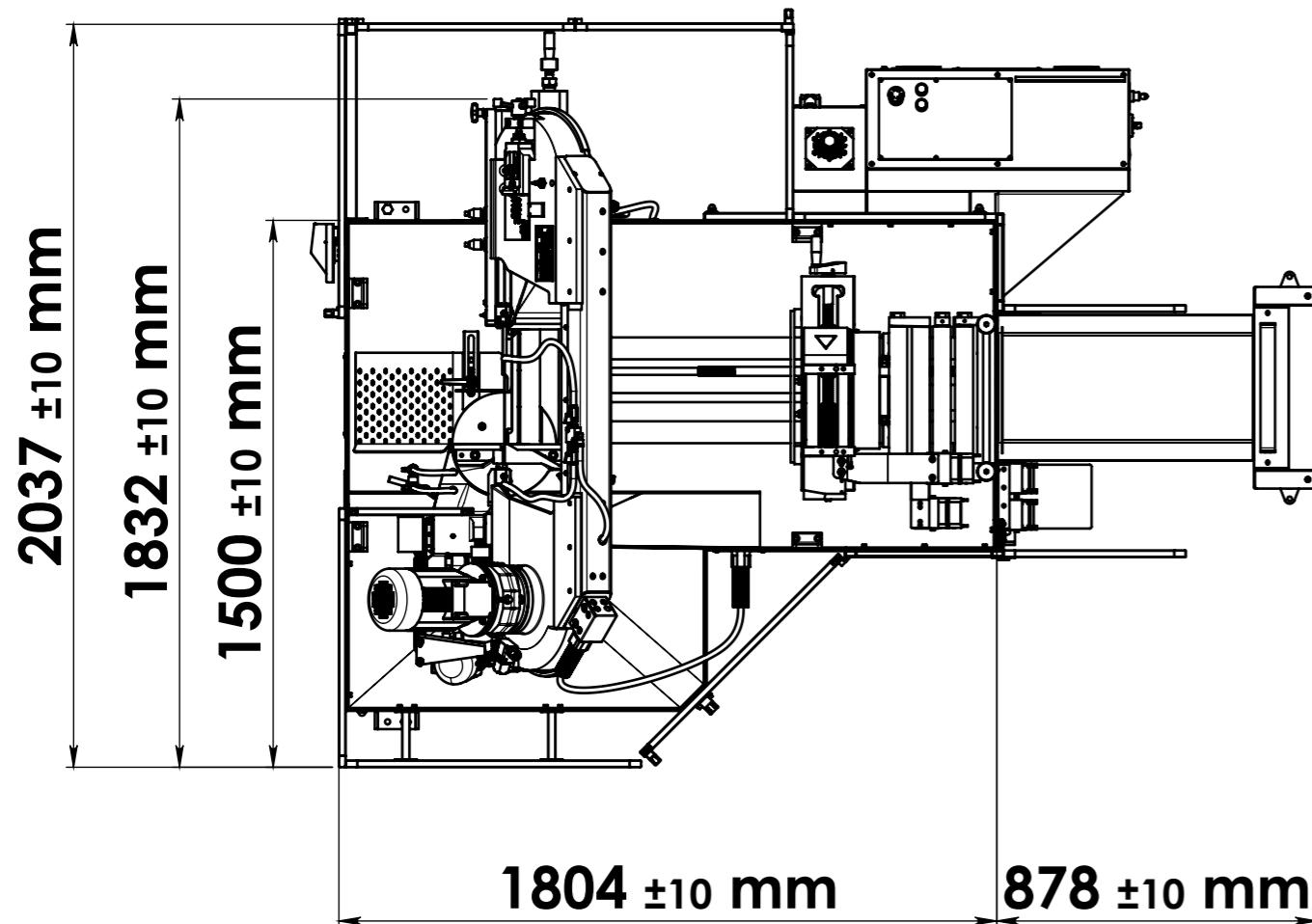
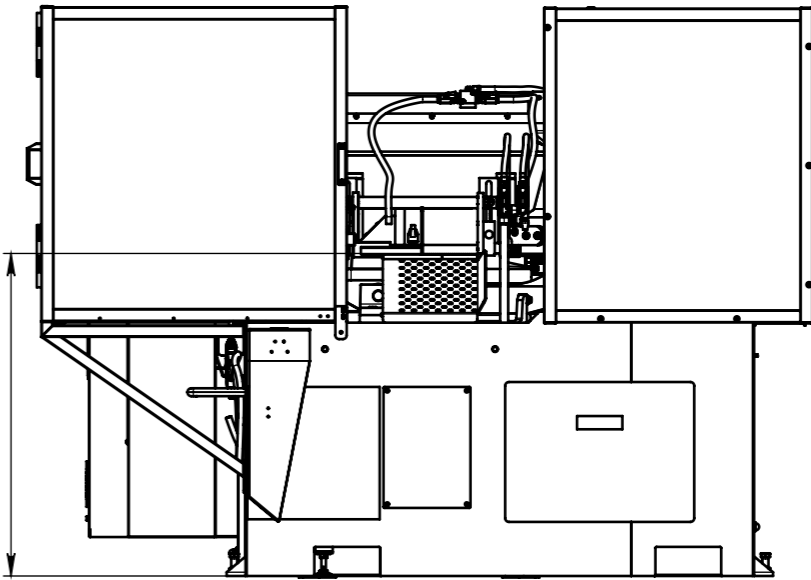


LAYOUT JUPITER+CN



850 ± 10 mm
H PIANO DI TAGLIO
WORKTOP HEIGHT



	DATE	DESCRIPTION		
	25-06-2024	JUPITER+CN		
DRAWN BY		SCALE	SIZE	SHEET 1 OF 1
		1:20	A3	

THE INFORMATION IN THIS DRAWING IS THE SOLE PROPERTY OF F.M.B. Srl. ANY REPRODUCTION IN PART OF AS A WHOLE WITHOUT THE PERMISSION OF F.M.B. Srl IS PROHIBITED.