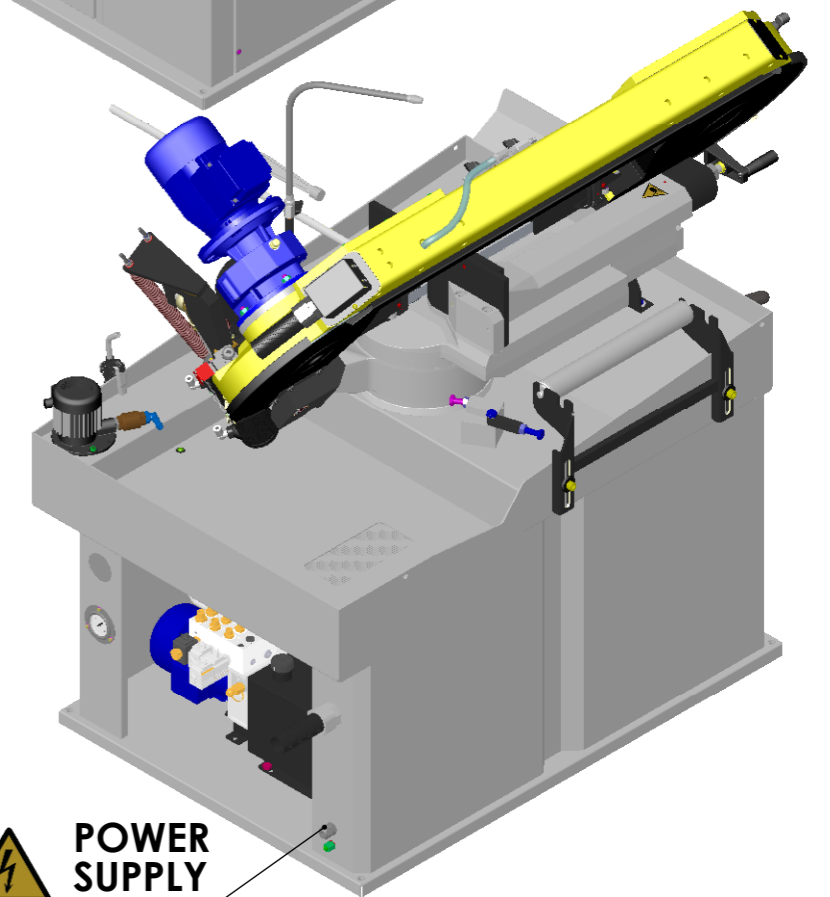
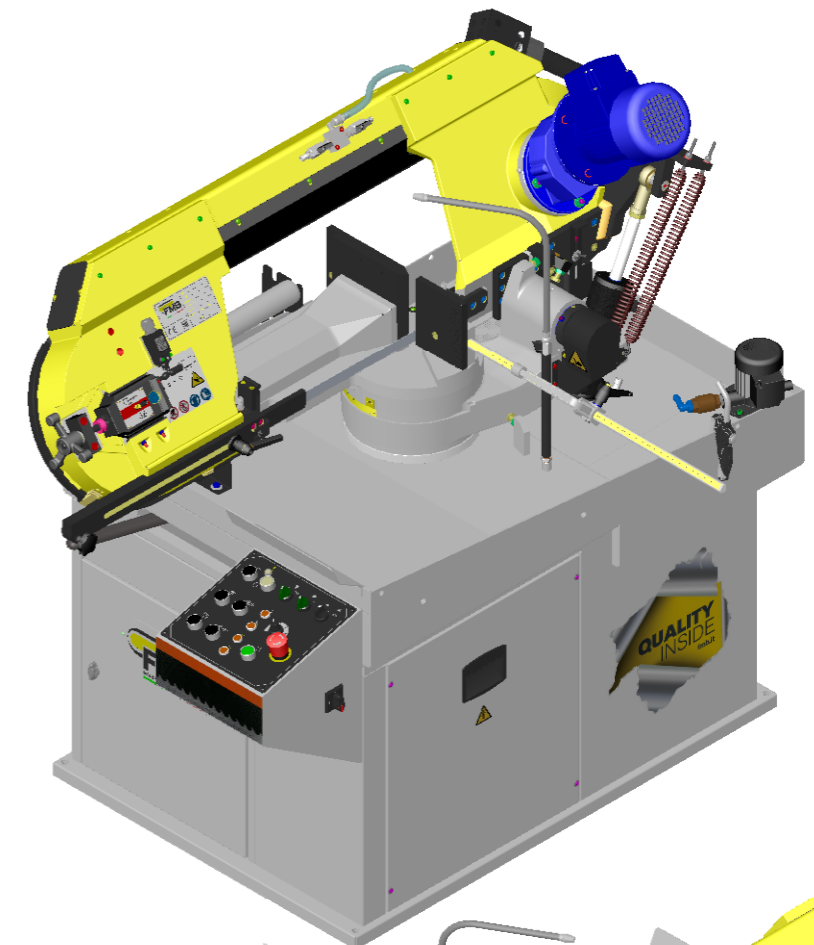
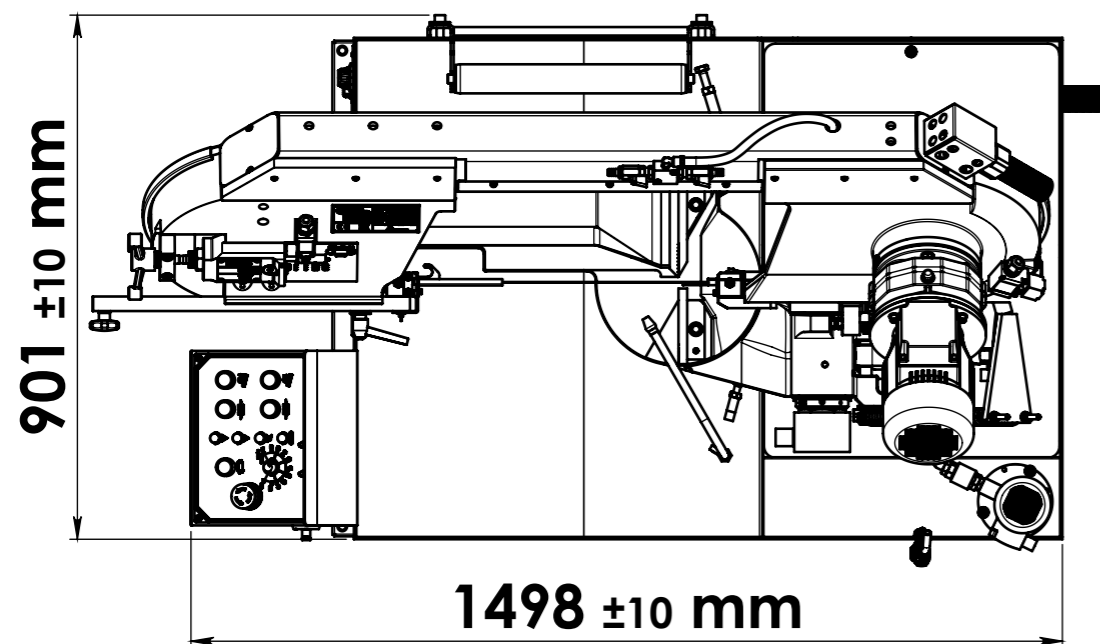
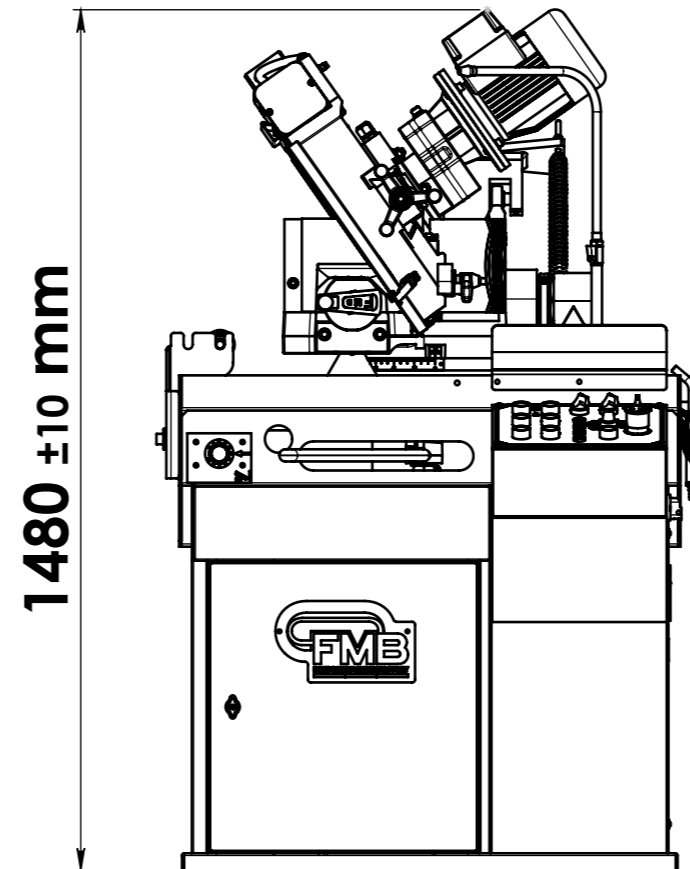
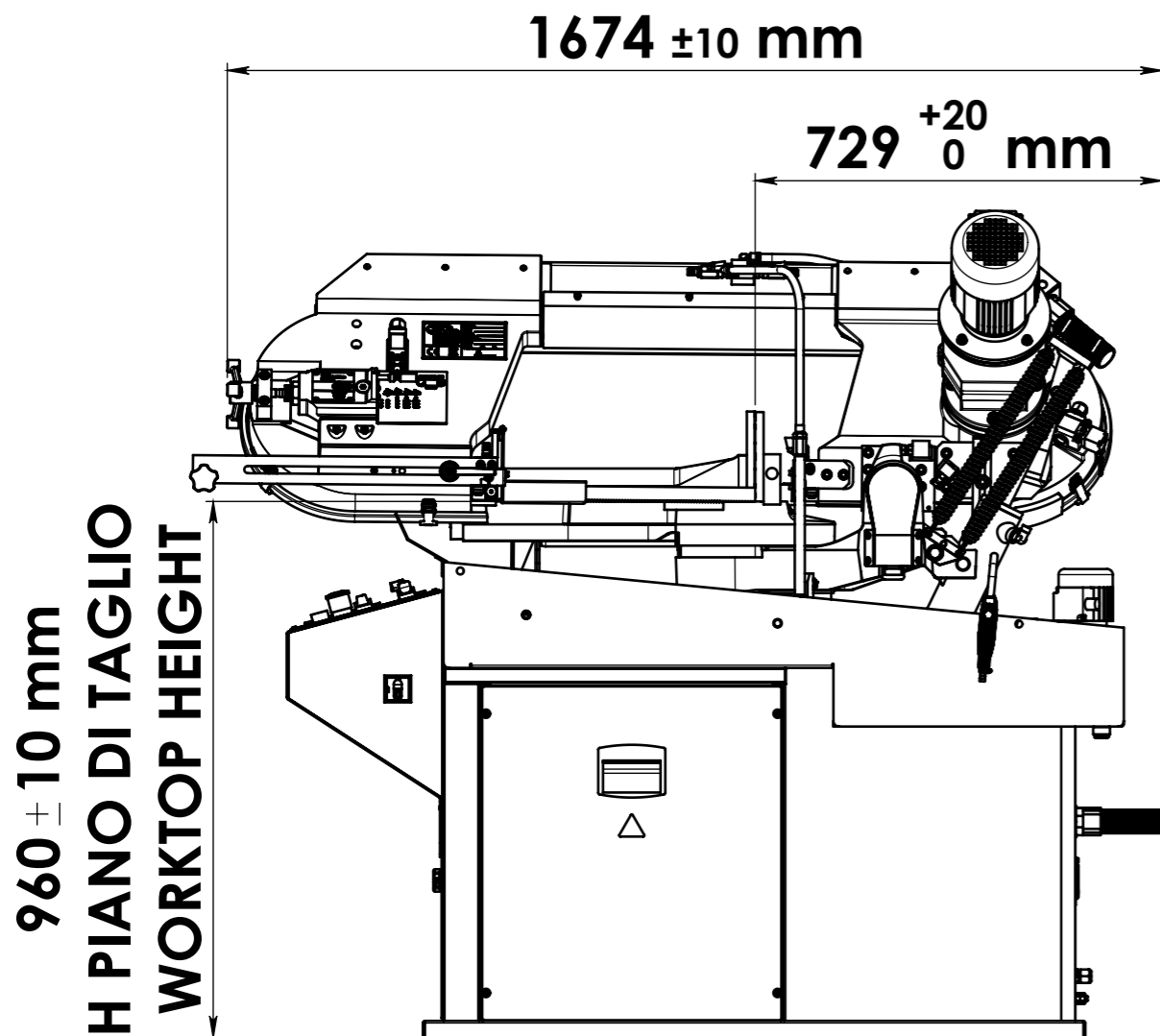


LAYOUT MAJOR



POWER
SUPPLY

| | | | | |
|----------|------------|--------------|------|--------------|
| | DATE | DESCRIPTION | | |
| | 10-10-2023 | MAJOR | | |
| DRAWN BY | | SCALE | SIZE | SHEET 1 OF 1 |
| - | | 1:13 | A3 | |

THE INFORMATION IN THIS DRAWING IS THE SOLE PROPERTY OF F.M.B. Srl. ANY REPRODUCTION IN PART OF AS A WHOLE WITHOUT THE PERMISSION OF F.M.B. Srl IS PROHIBITED.