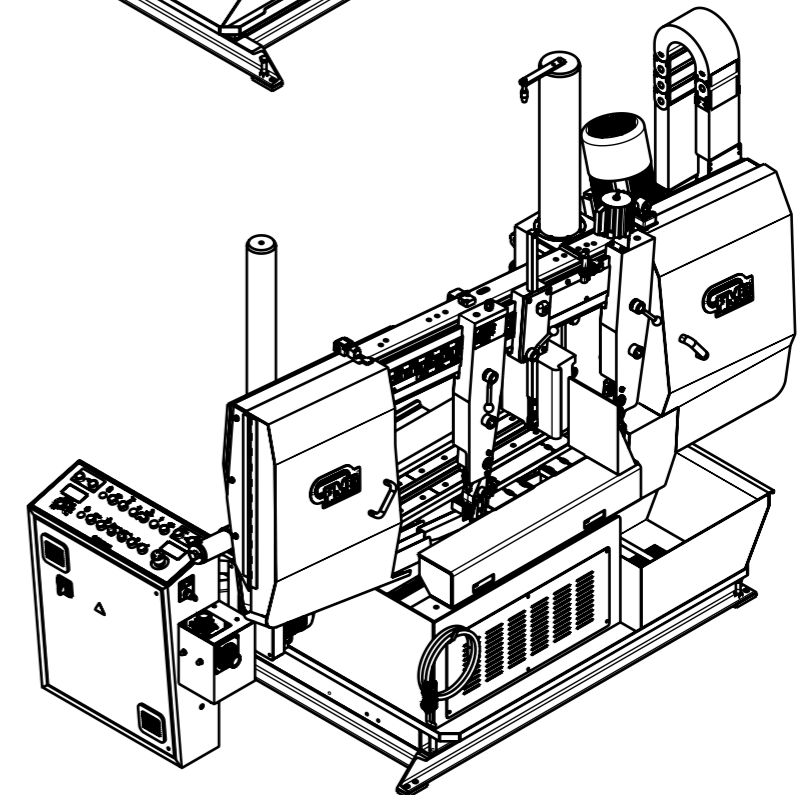
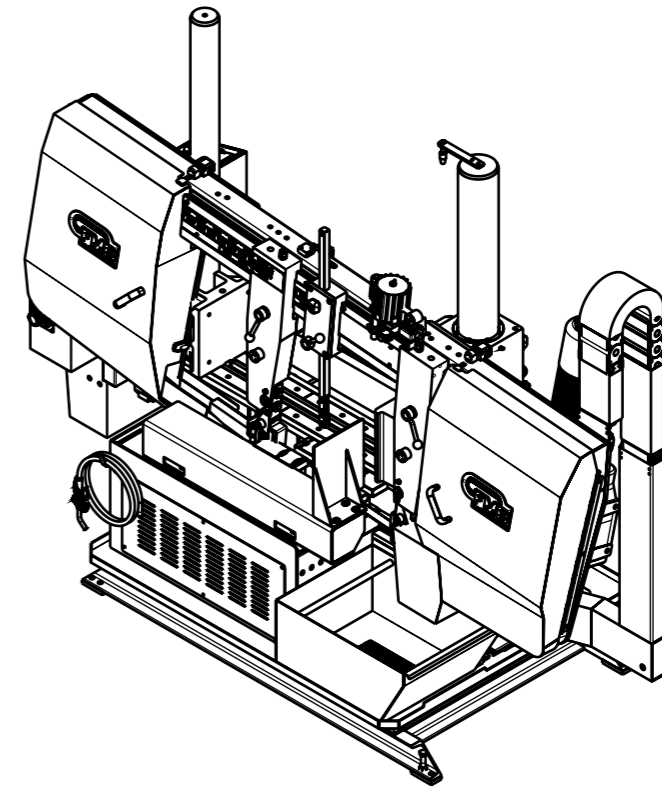
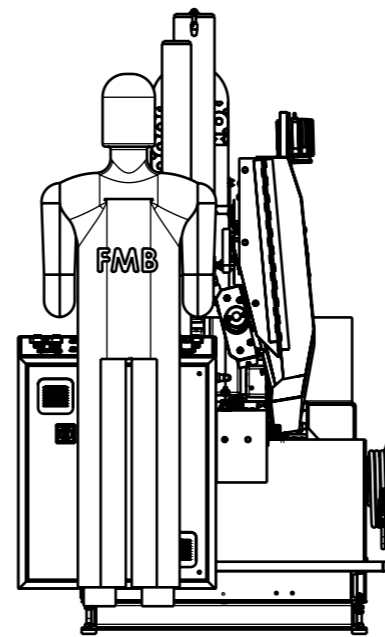
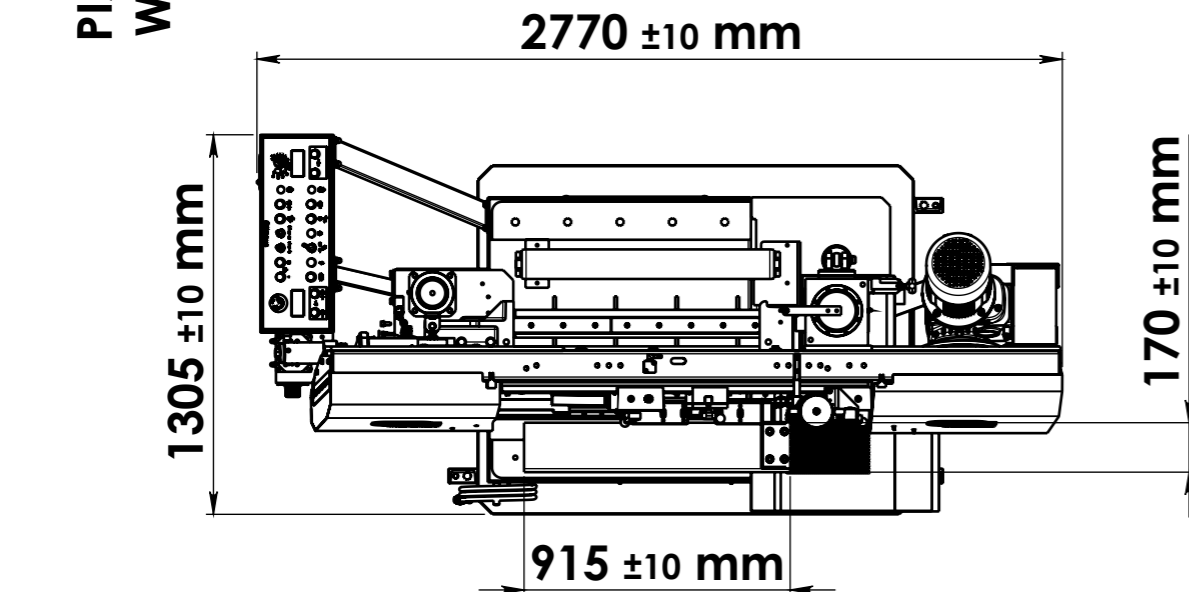
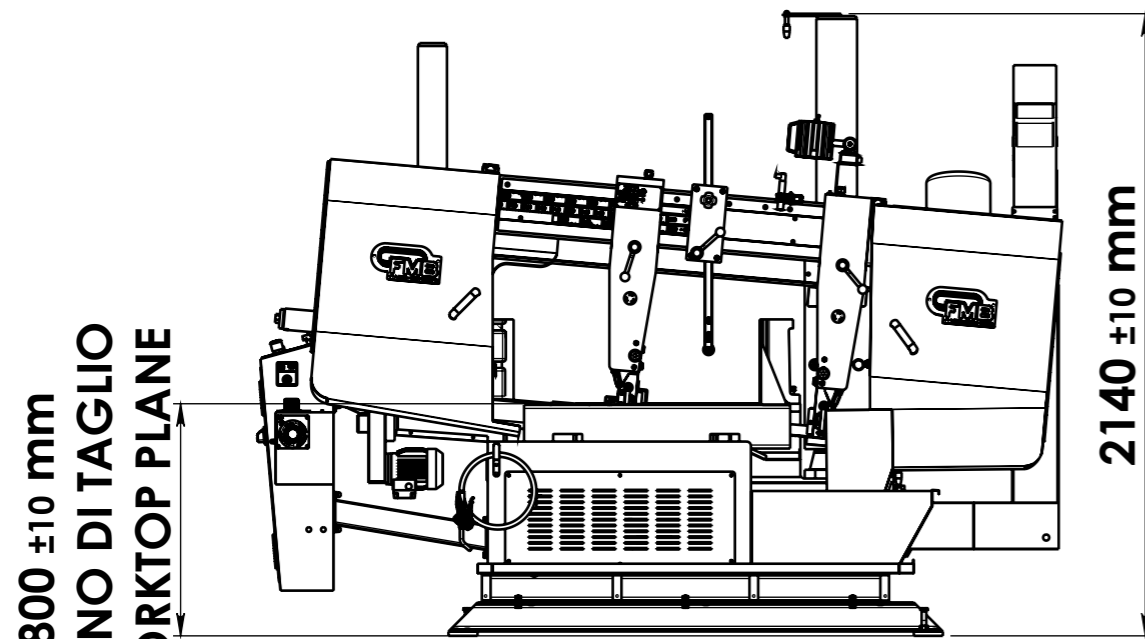
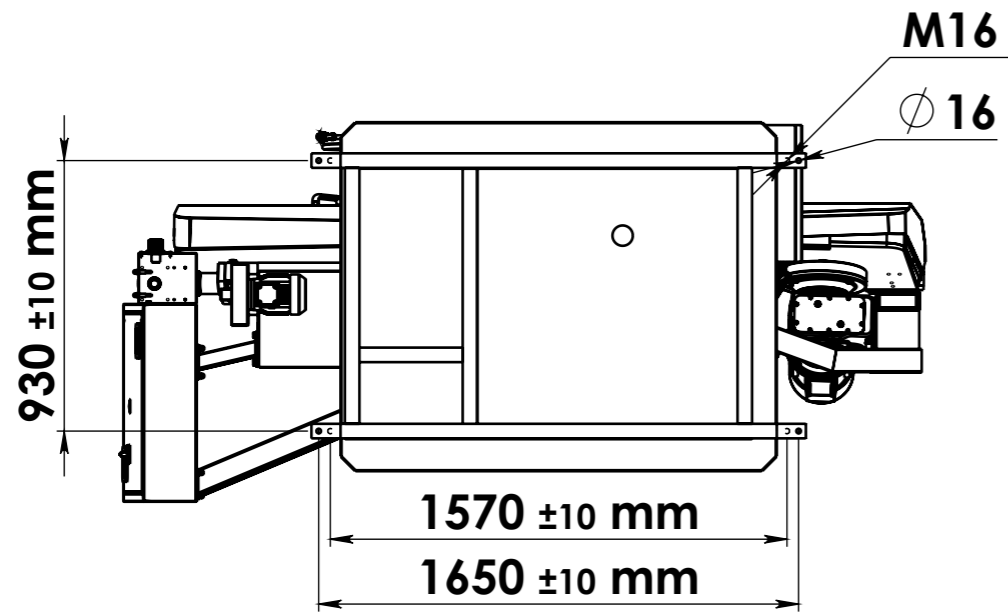


LAYOUT OLIMPUS 1



	DATE	DESCRIPTION		
	09-12-2022	OLIMPUS 1		
DRAWN BY		SCALE	SIZE	SHEET 1 OF 2
		1:26	A3	

THE INFORMATION IN THIS DRAWING IS THE SOLE PROPERTY OF F.M.B. Srl. ANY REPRODUCTION IN PART OF AS A WHOLE WITHOUT THE PERMISSION OF F.M.B. Srl IS PROHIBITED.