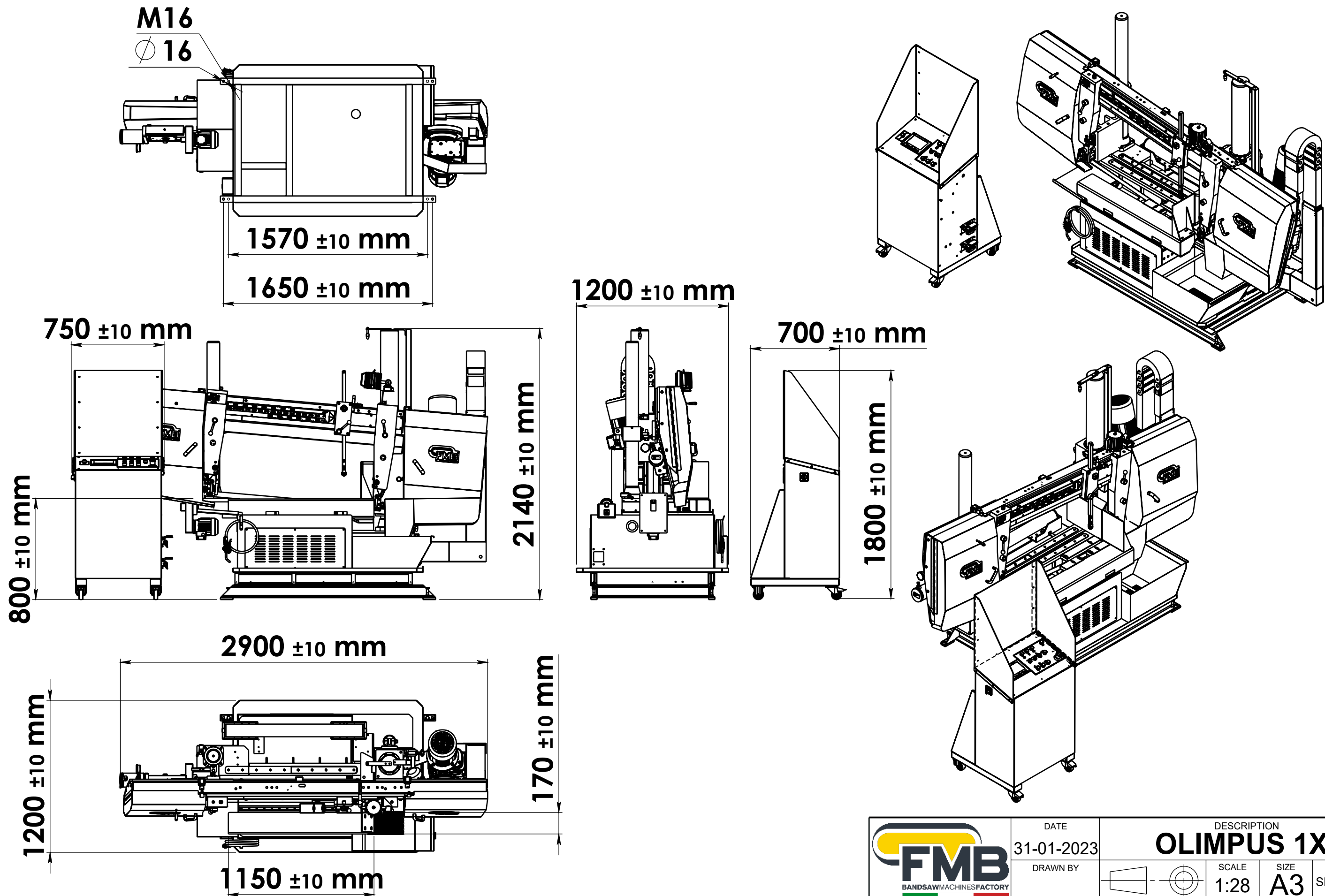


# LAYOUT OLIMPUS 1XL



	DATE	DESCRIPTION		
	31-01-2023	<b>OLIMPUS 1XL</b>		
DRAWN BY	SCALE	SIZE	SHEET 1 OF 1	
	1:28	A3		

THE INFORMATION IN THIS DRAWING IS THE SOLE PROPERTY OF F.M.B. Srl. ANY REPRODUCTION IN PART OF AS A WHOLE WITHOUT THE PERMISSION OF F.M.B. Srl IS PROHIBITED.