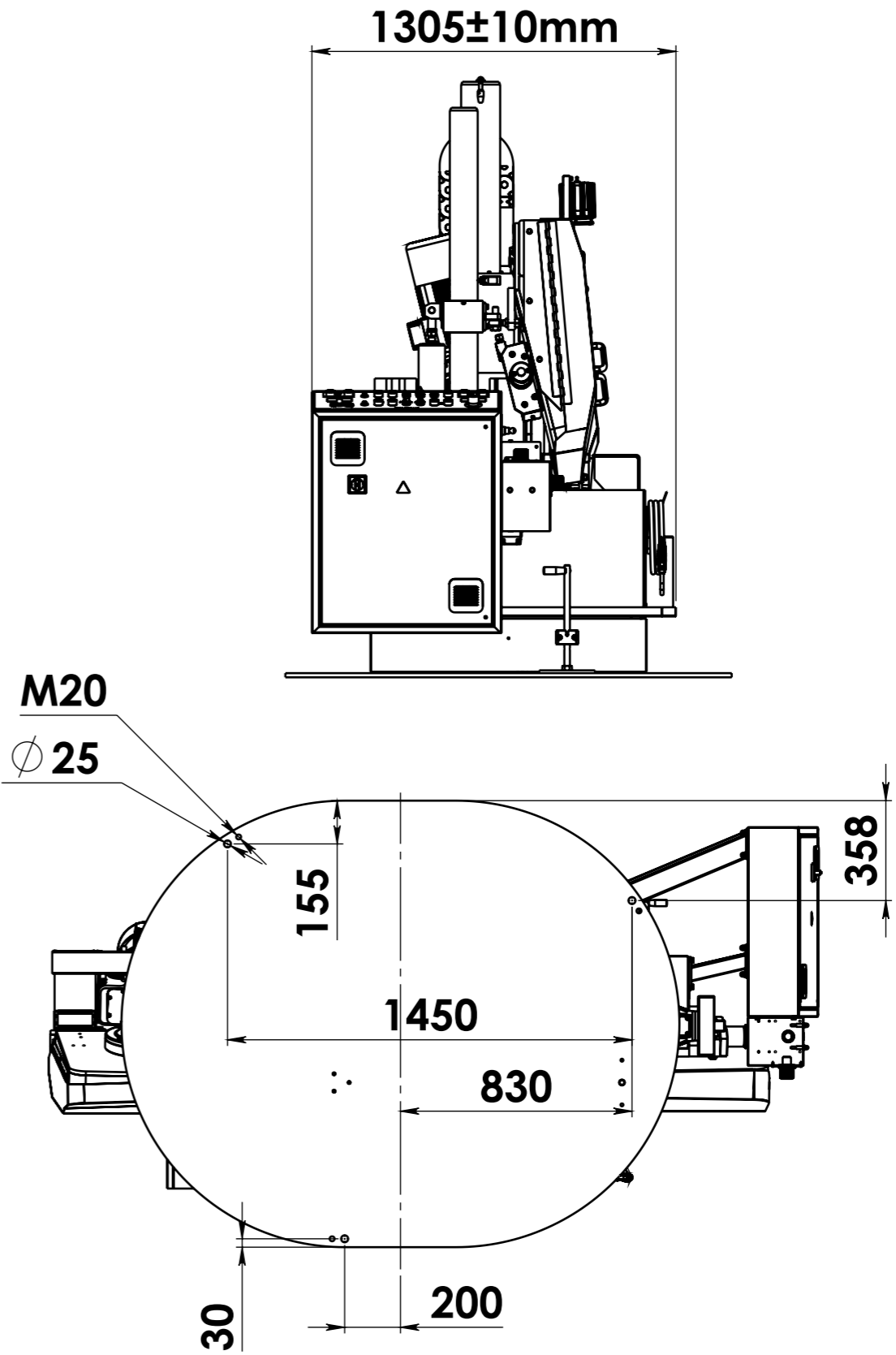
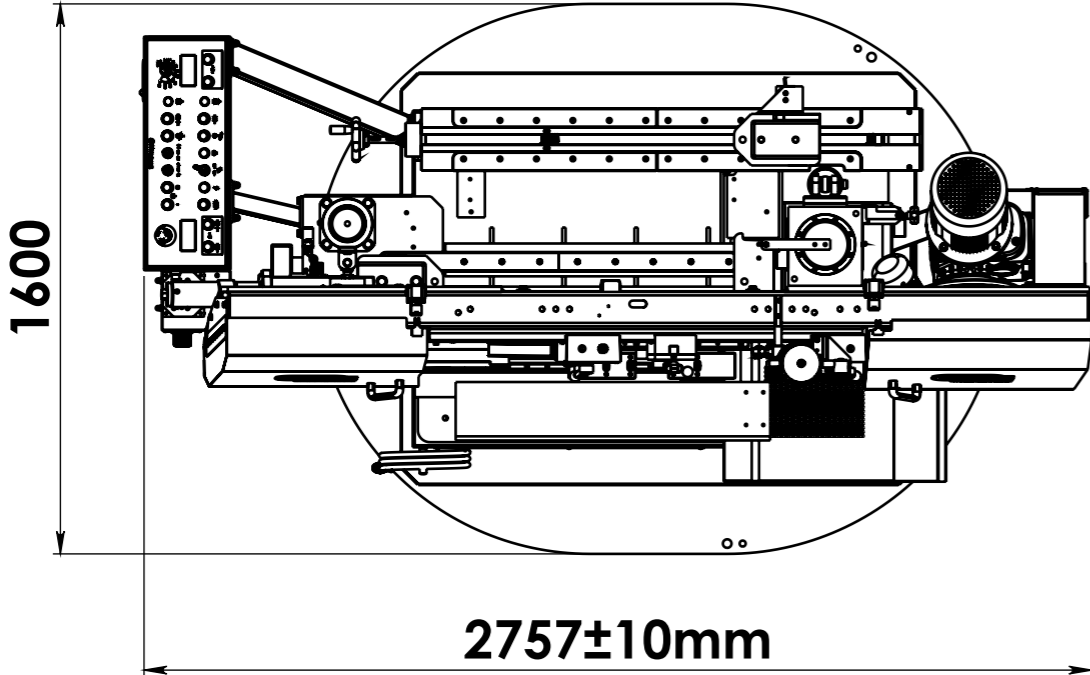
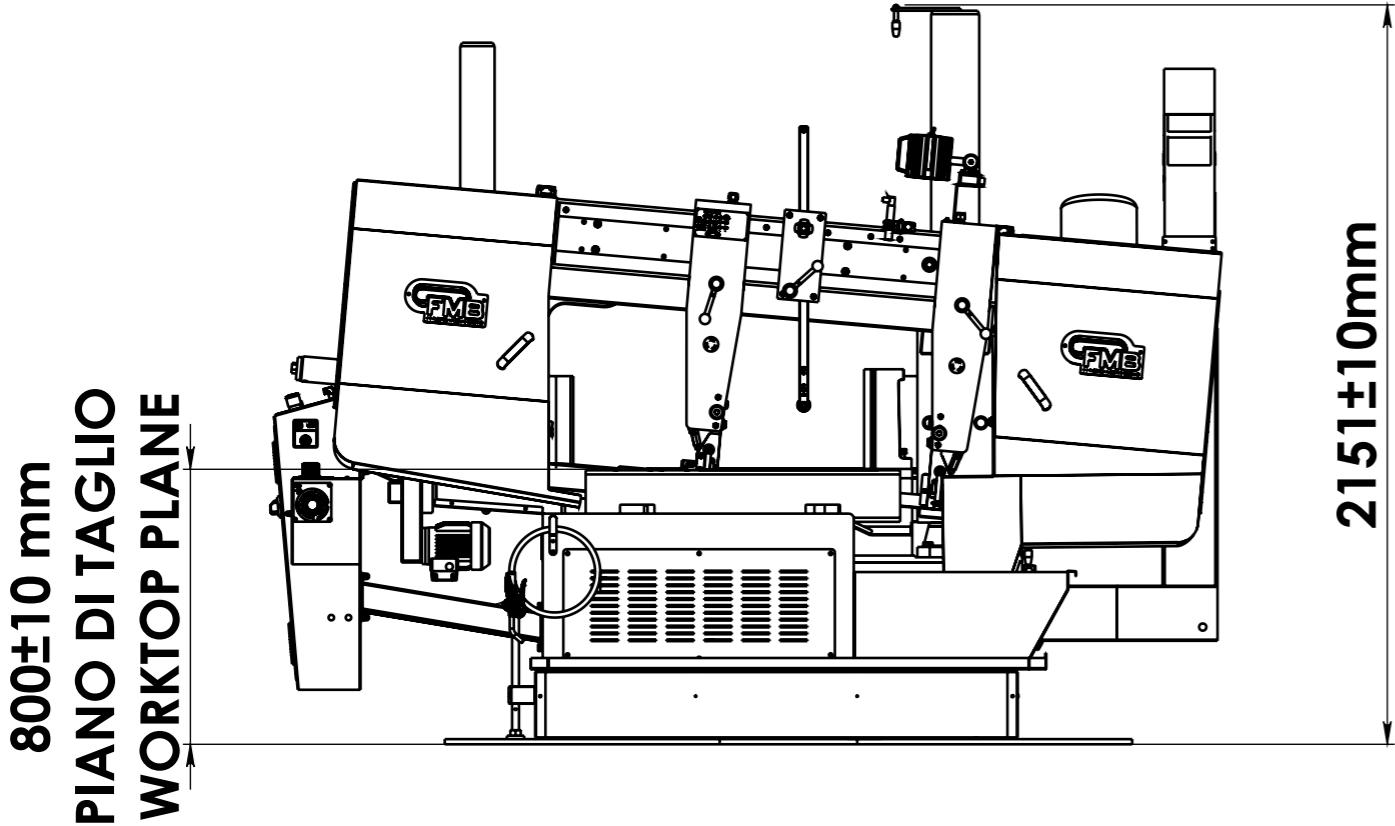

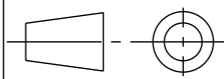


LAYOUT OLIMPUS 2



 FMB BANDSAWMACHINESFACTORY	DATE	DESCRIPTION		
	09-12-2022	OLIMPUS 2		
DRAWN BY		SCALE	SIZE	SHEET 1 OF 1
		1:22	A3	
<small>THE INFORMATION IN THIS DRAWING IS THE SOLE PROPERTY OF F.M.B. Srl. ANY REPRODUCTION IN PART OF AS A WHOLE WITHOUT THE PERMISSION OF F.M.B. Srl IS PROHIBITED.</small>				