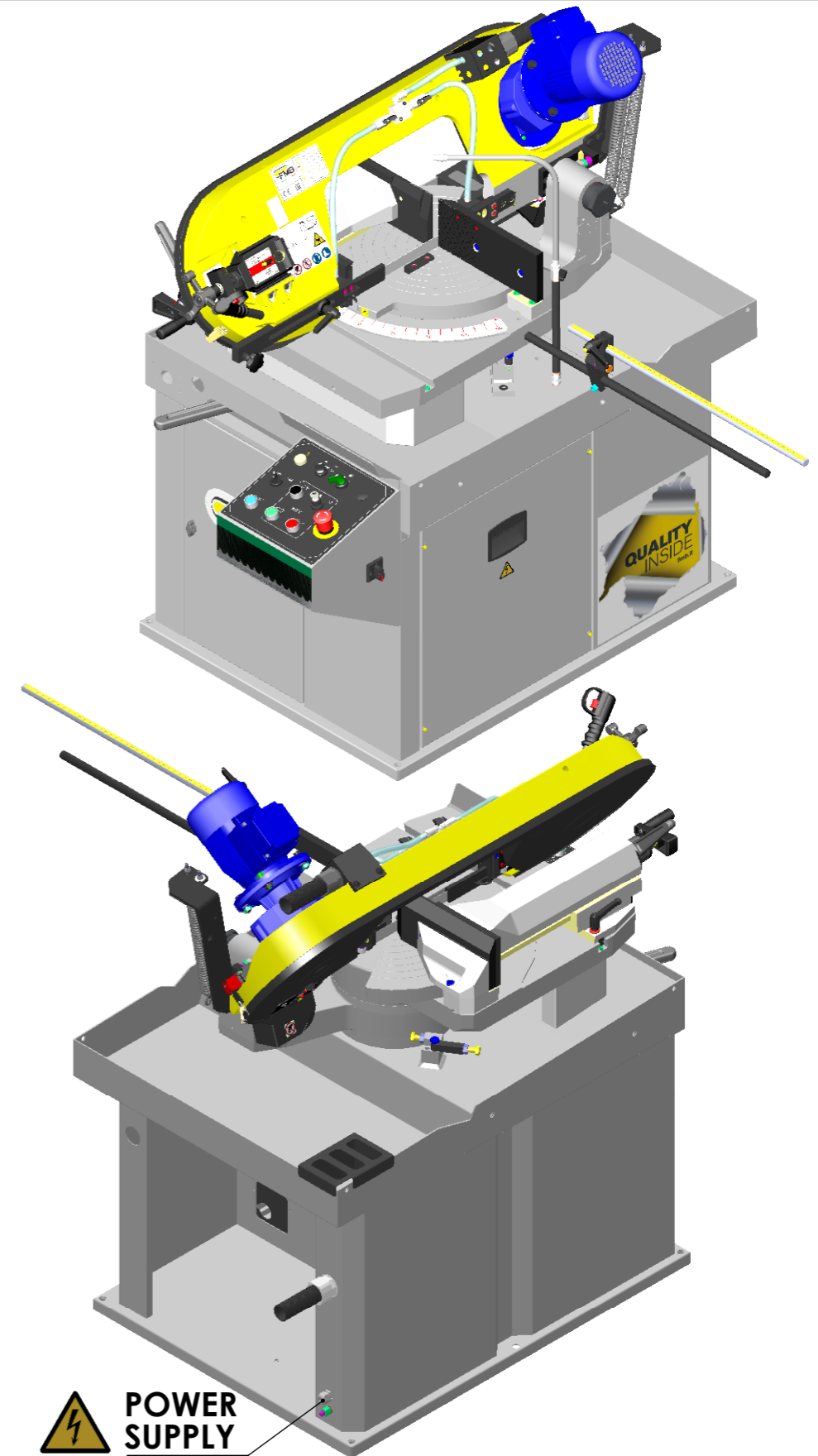
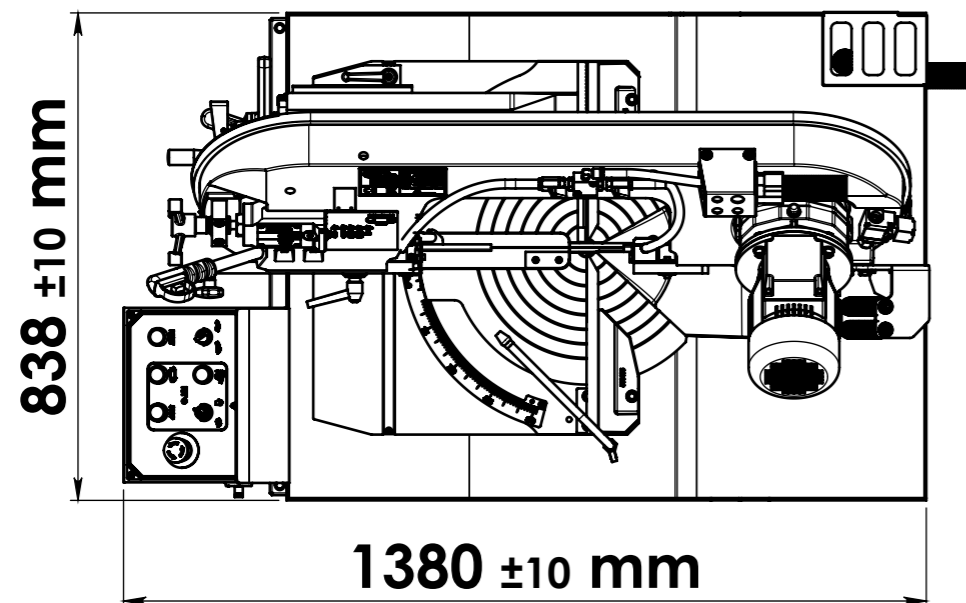
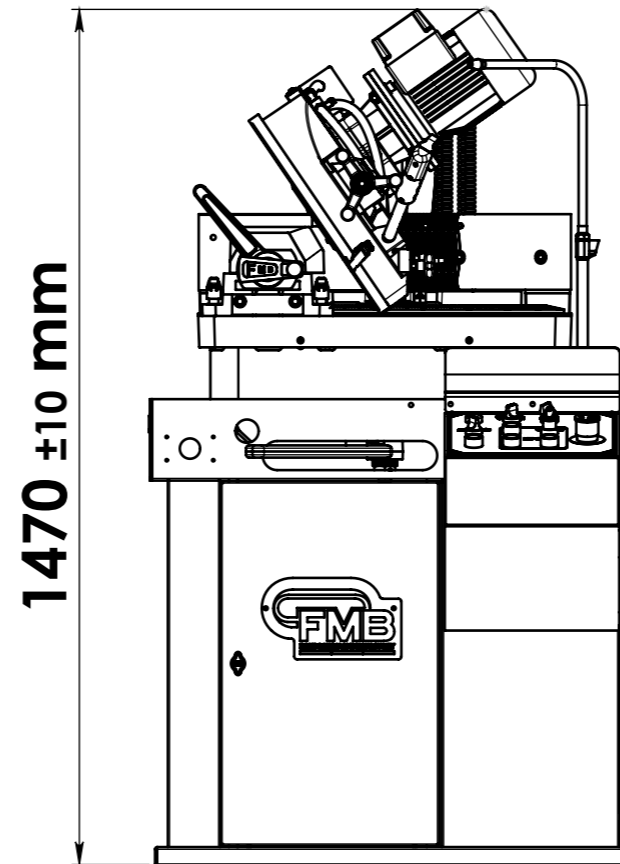
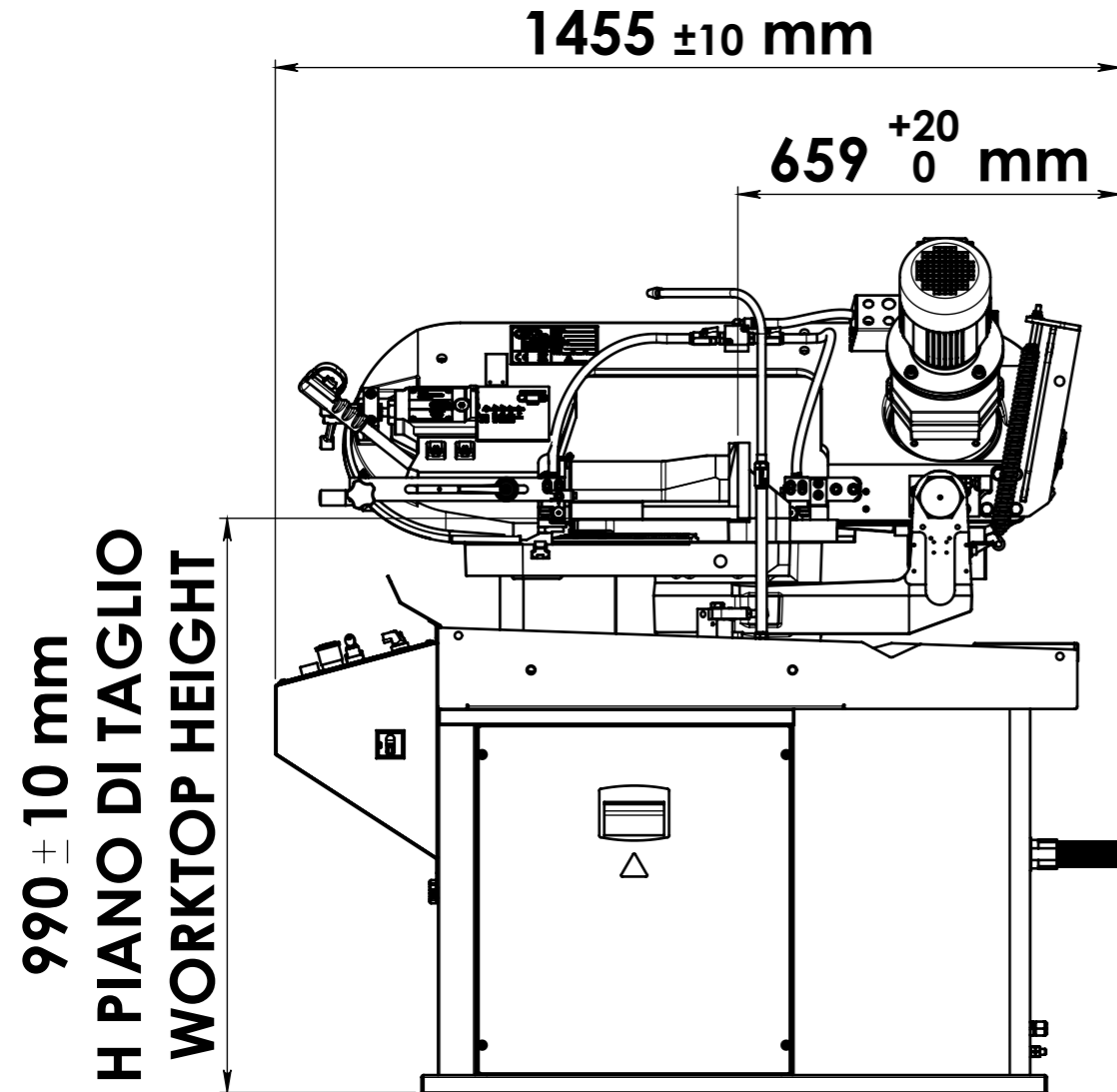



LAYOUT ORION



 FMB BANDSAWMACHINESFACTORY	DATE	DESCRIPTION		
	10-10-2023	ORION		
DRAWN BY	-	SCALE	SIZE	SHEET 1 OF 1
		1:13	A3	

THE INFORMATION IN THIS DRAWING IS THE SOLE PROPERTY OF F.M.B. S.r.l. ANY REPRODUCTION IN PART OF AS A WHOLE WITHOUT THE PERMISSION OF F.M.B. S.r.l IS PROHIBITED.