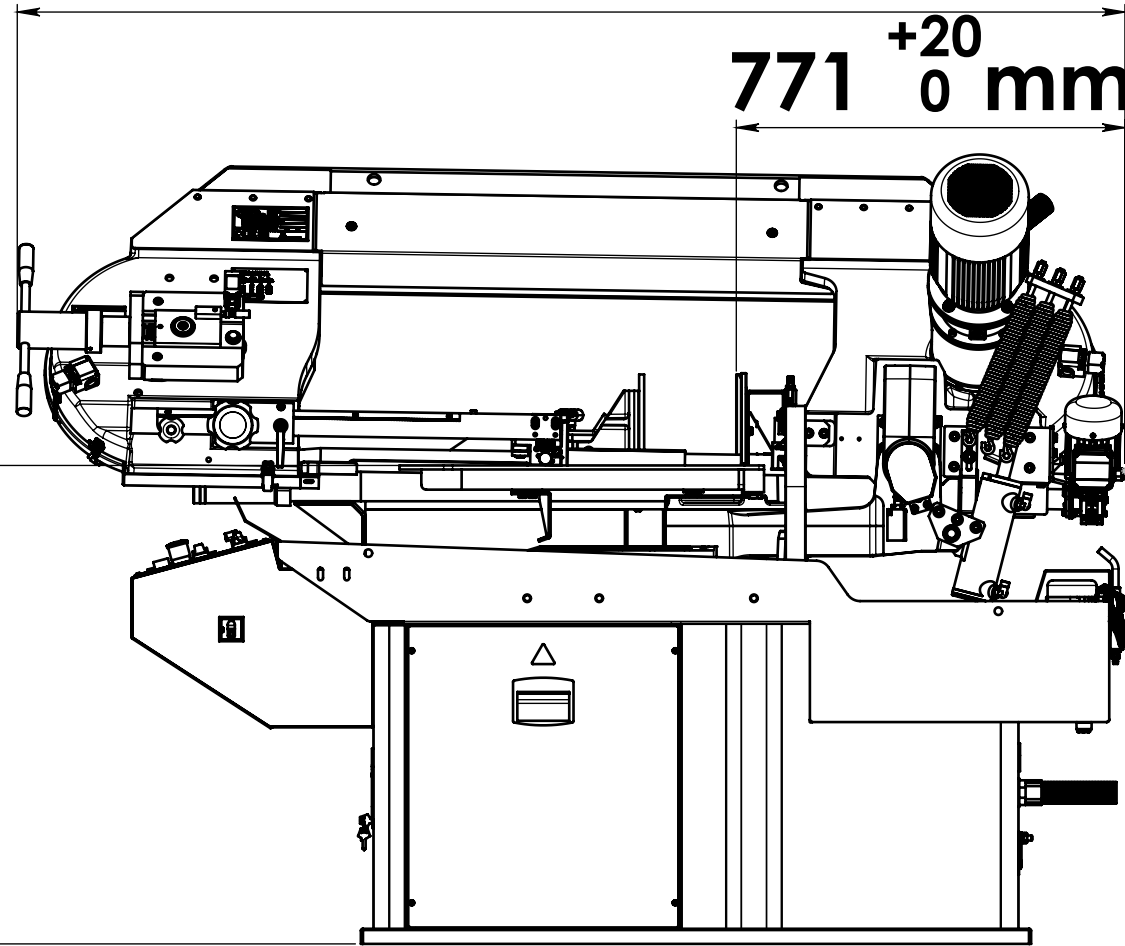


LAYOUT PEGASUS XL

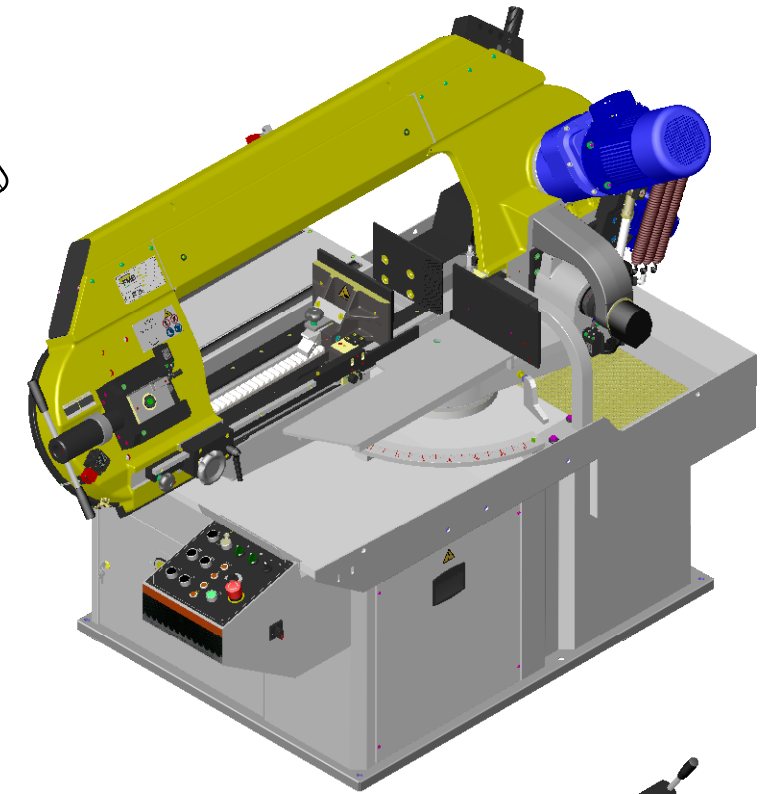
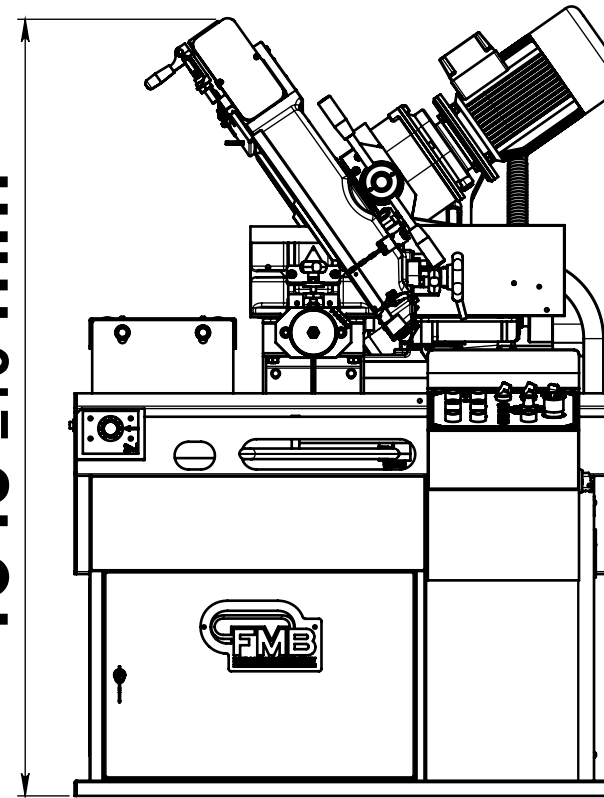
2198 ±10 mm

771 ⁺²⁰₀ mm

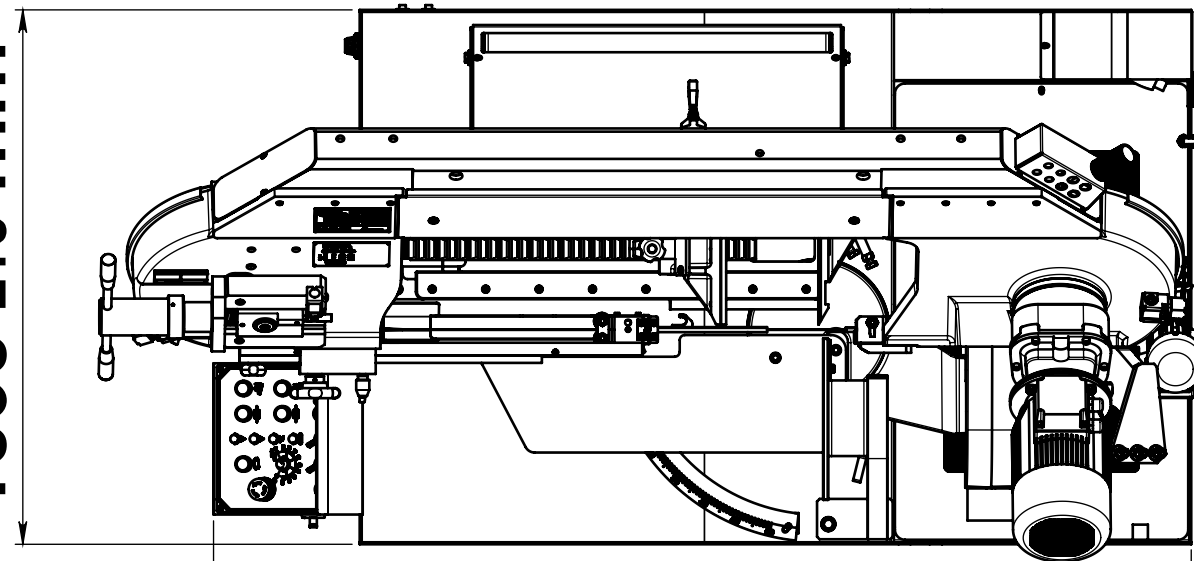


950 mm ±10mm
H PIANO DI TAGLIO
WORKTOP HEIGHT

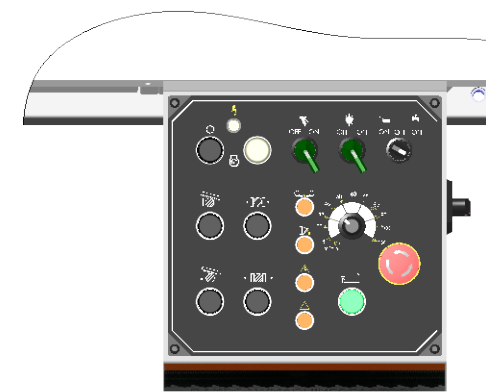
1540 ±10 mm



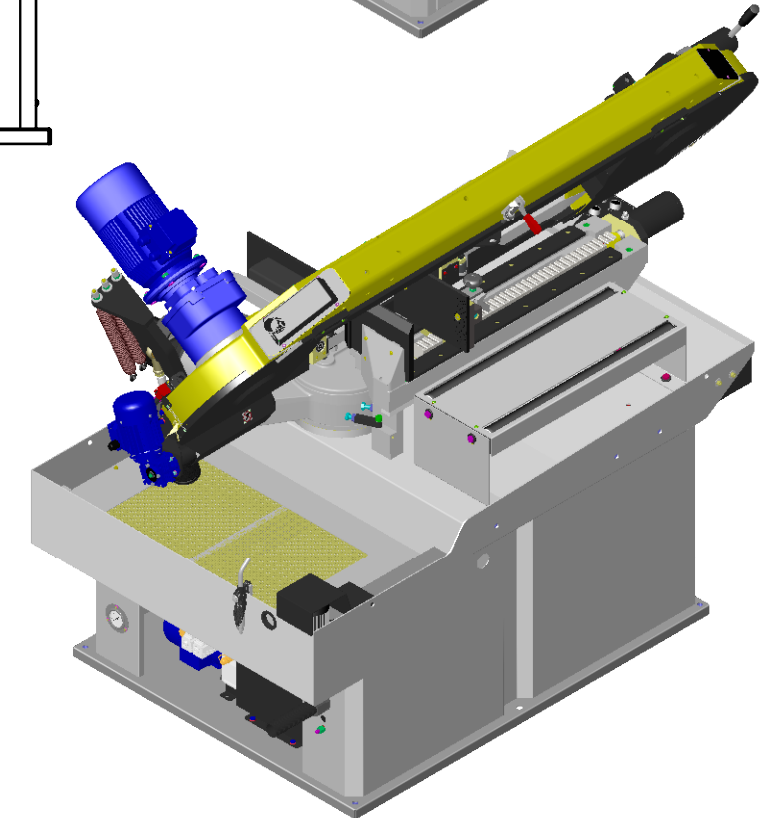
1060 ±10 mm



1940 ±10 mm



CONTROL PANEL



	DATE	DESCRIPTION		
	05-04-2023	PEGASUS XL		
DRAWN BY		SCALE	SIZE	SHEET 1 OF 1
-		1:15	A3	

THE INFORMATION IN THIS DRAWING IS THE SOLE PROPERTY OF F.M.B. Srl. ANY REPRODUCTION IN PART OF AS A WHOLE WITHOUT THE PERMISSION OF F.M.B. Srl IS PROHIBITED.