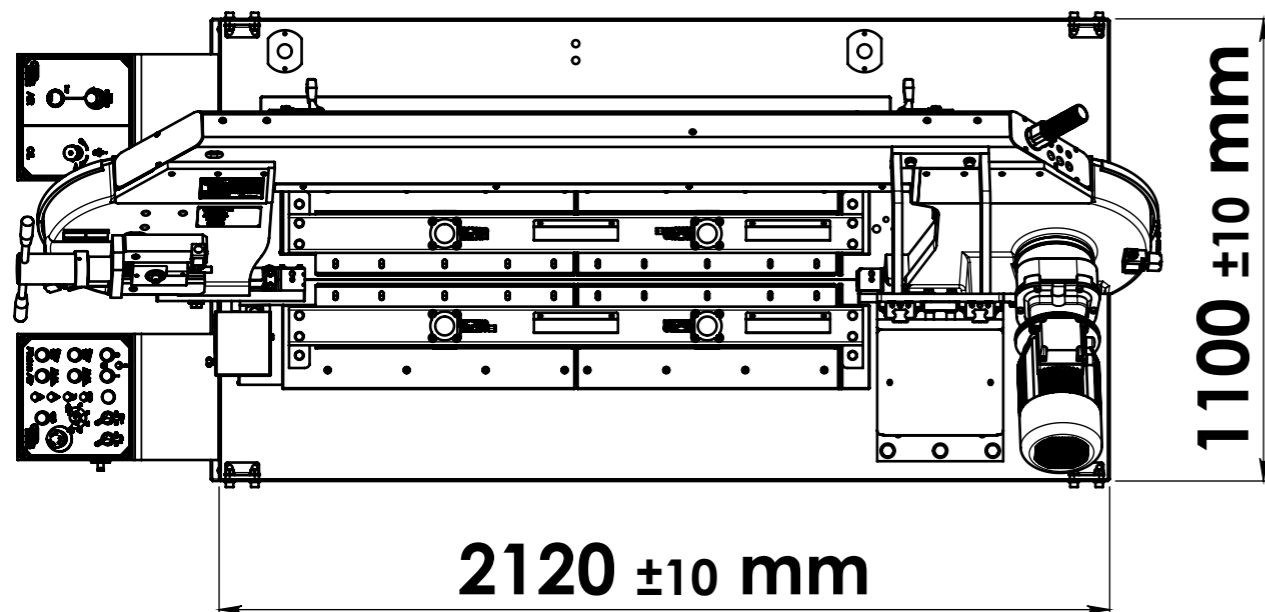
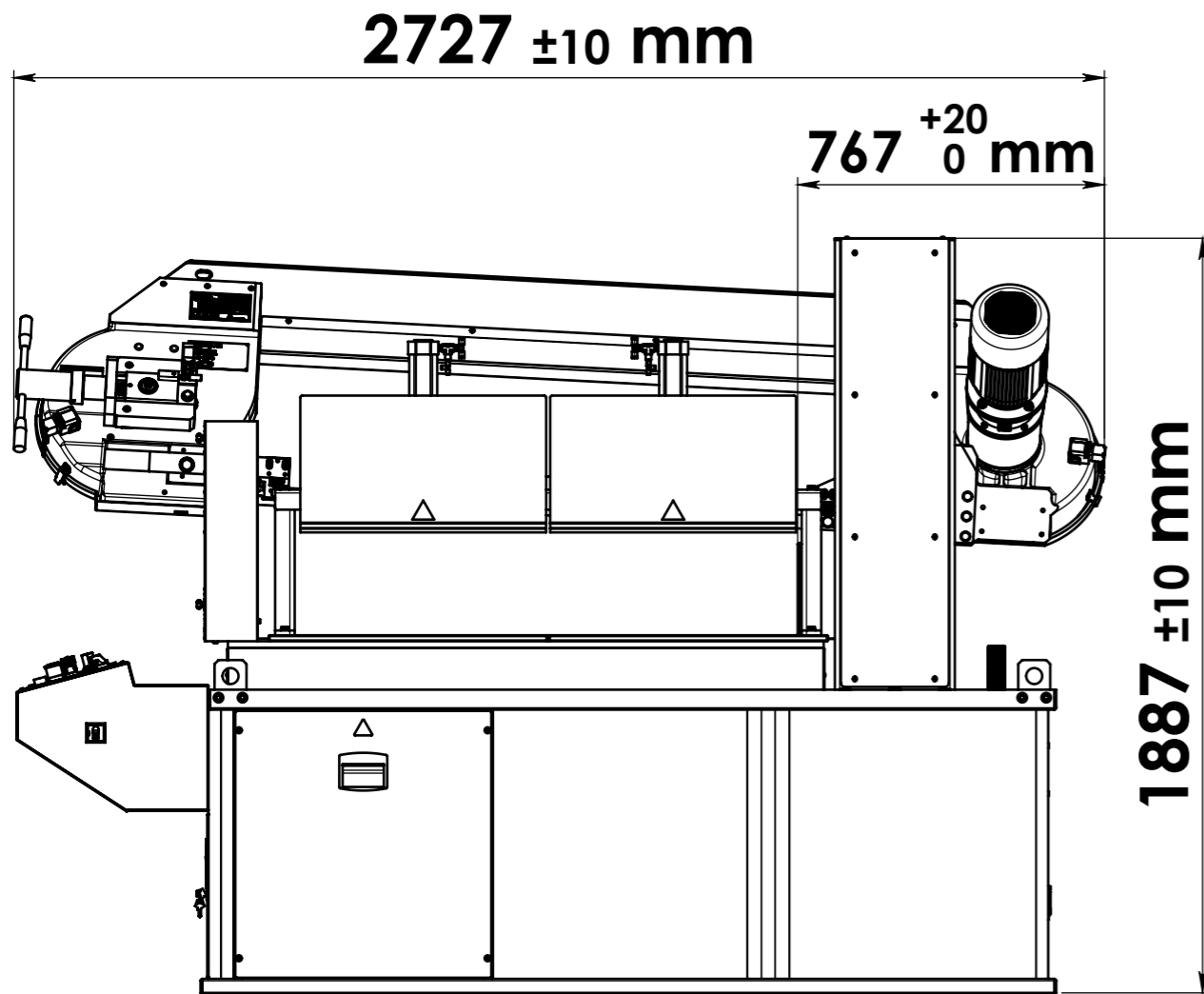
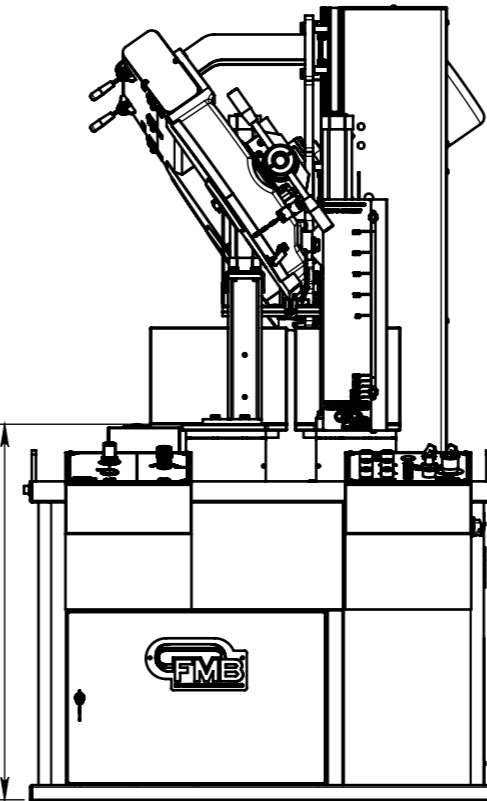


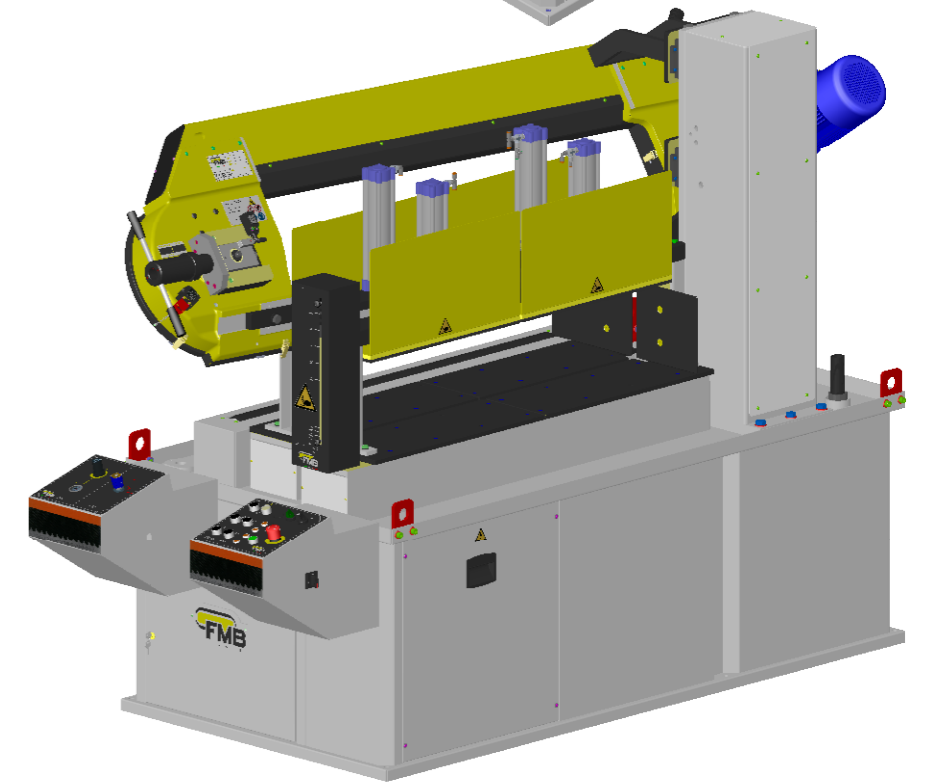
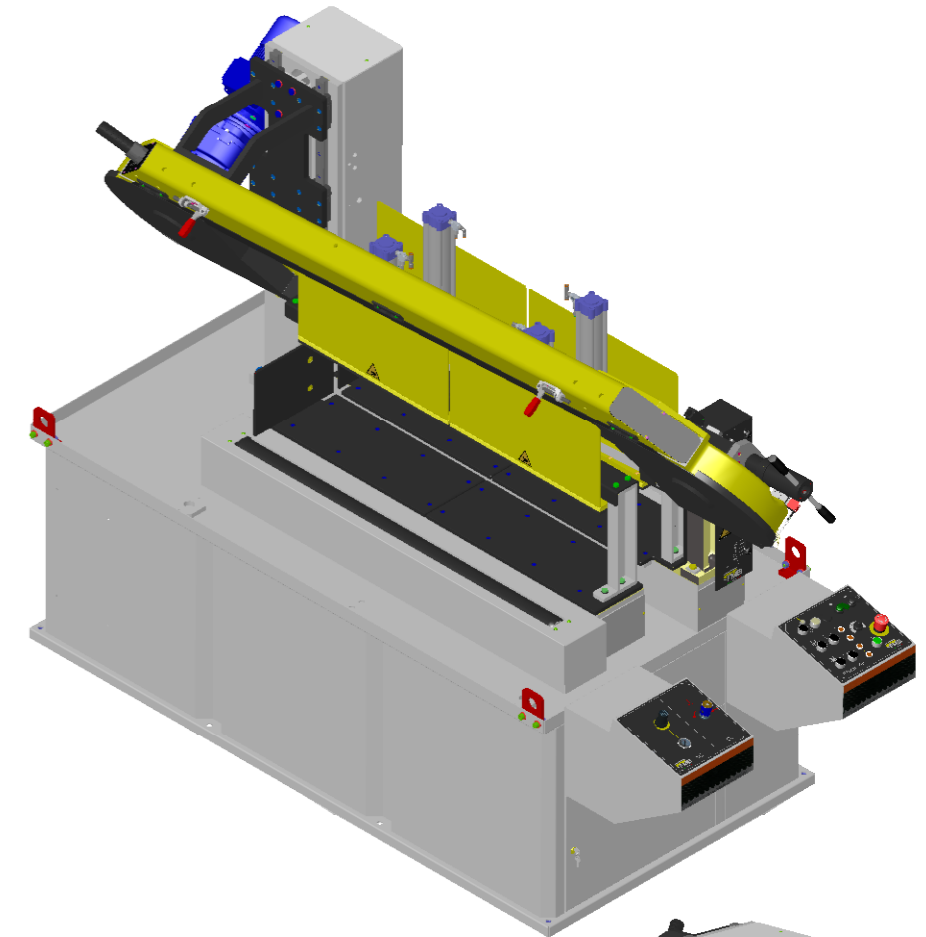
LAYOUT PLUTON AIR



890 ± 10 mm
H PIANO DI TAGLIO
WORKTOP HEIGHT



CONTROL PANEL



	DATE	DESCRIPTION		
	06-04-2023	PLUTON AIR		
DRAWN BY	-	SCALE	SIZE	SHEET 1 OF 1
		1:18	A3	

THE INFORMATION IN THIS DRAWING IS THE SOLE PROPERTY OF F.M.B. Srl. ANY REPRODUCTION IN PART OF AS A WHOLE WITHOUT THE PERMISSION OF F.M.B. Srl IS PROHIBITED.