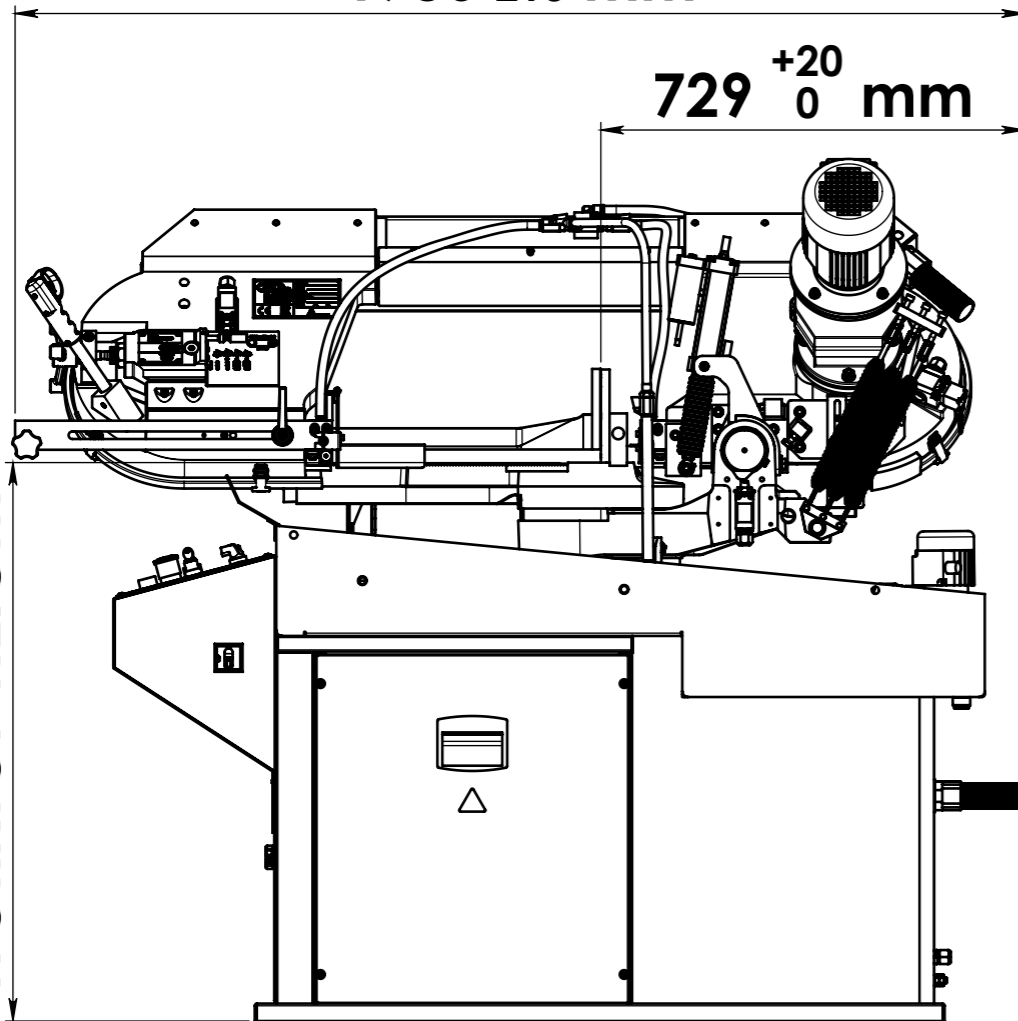


LAYOUT TITAN+G

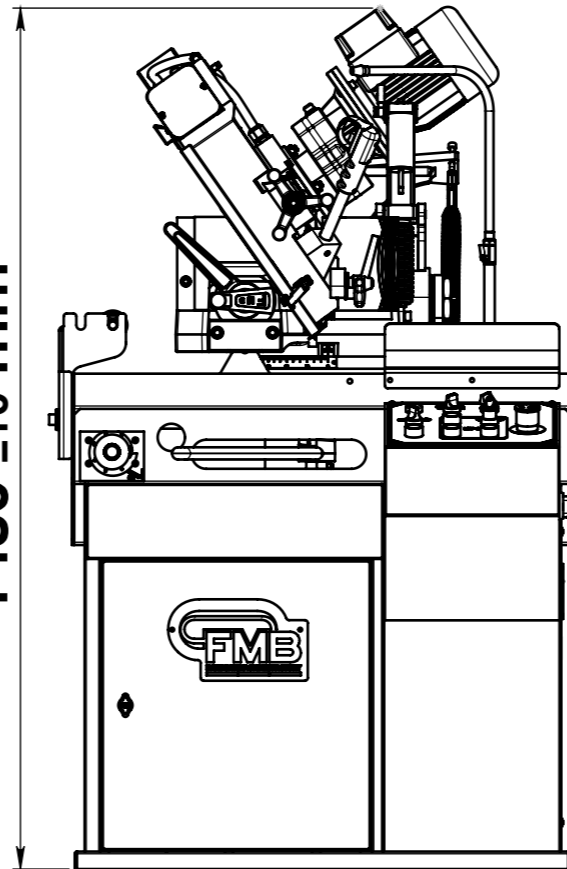
1736 ±10 mm

729 ⁺²⁰₀ mm

960 ± 10 mm
H PIANO DI TAGLIO
WORKTOP HEIGHT

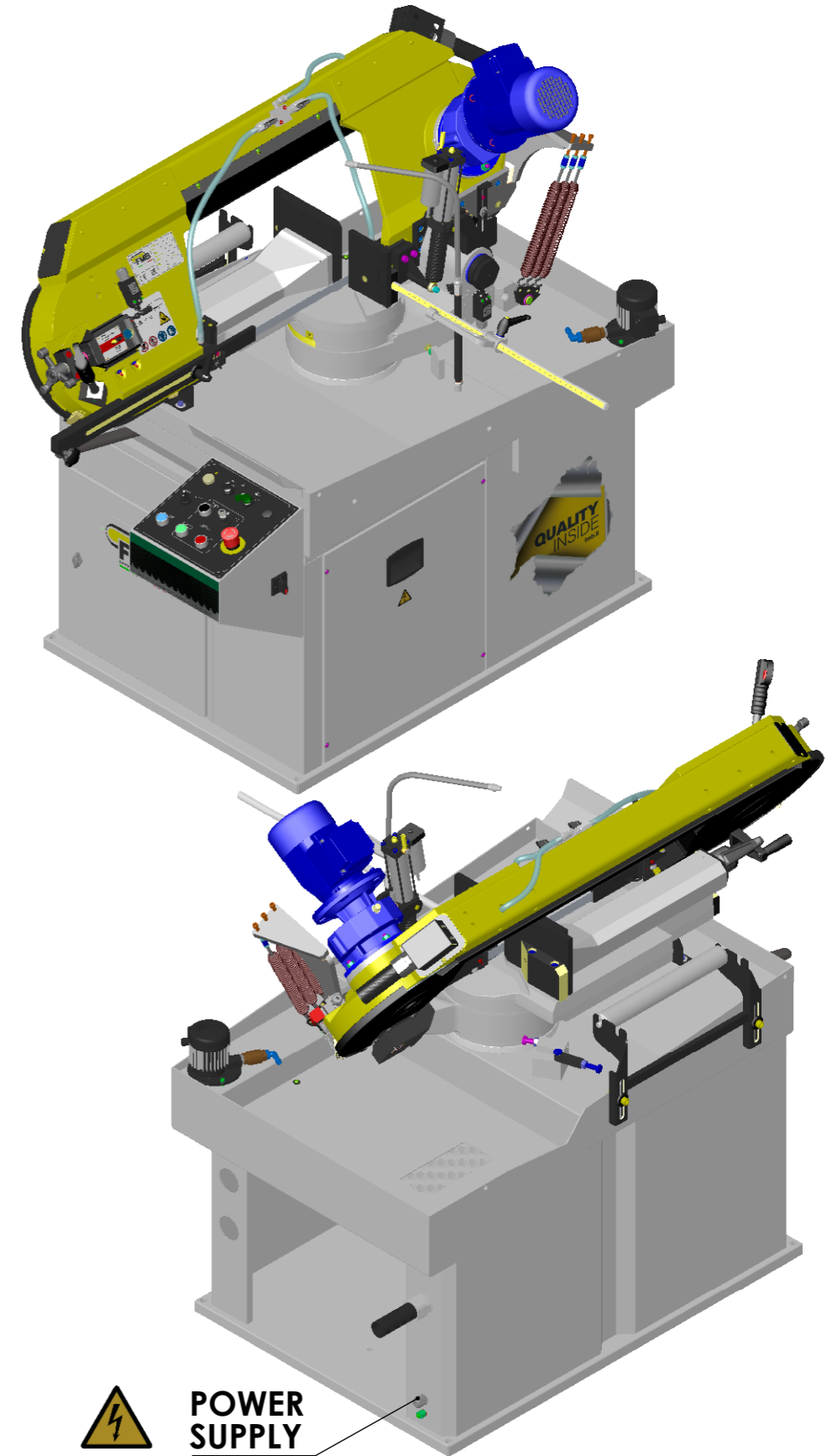
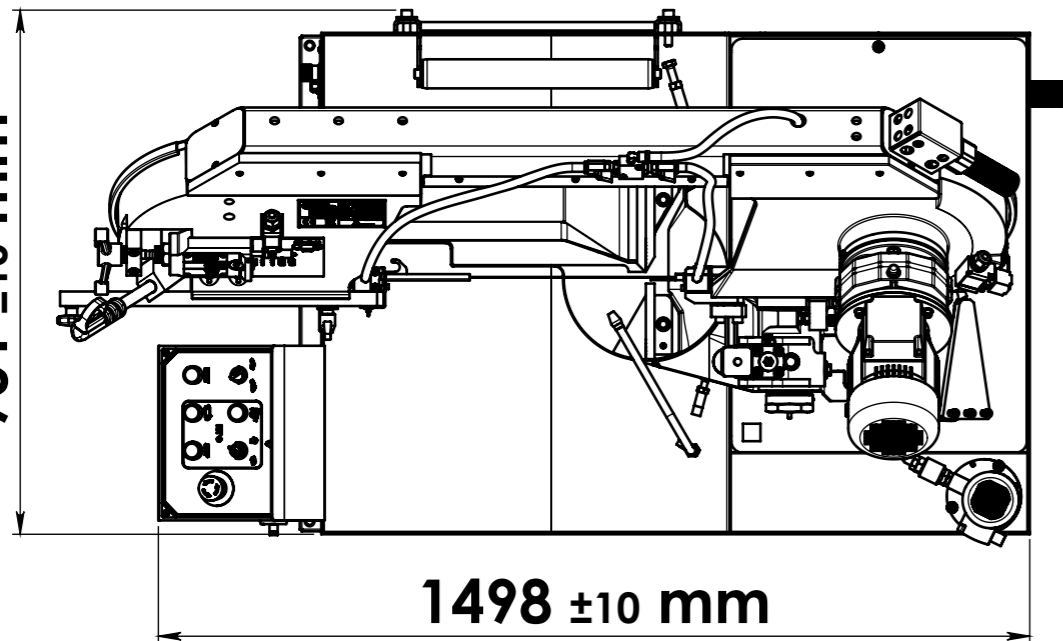


1480 ±10 mm



901 ±10 mm

1498 ±10 mm



POWER
SUPPLY

	DATE	DESCRIPTION		
	10-10-2023	TITAN+G		
DRAWN BY	-	SCALE	SIZE	SHEET 1 OF 1
		1:13	A3	

THE INFORMATION IN THIS DRAWING IS THE SOLE PROPERTY OF F.M.B. Srl. ANY REPRODUCTION IN PART OF AS A WHOLE WITHOUT THE PERMISSION OF F.M.B. Srl IS PROHIBITED.