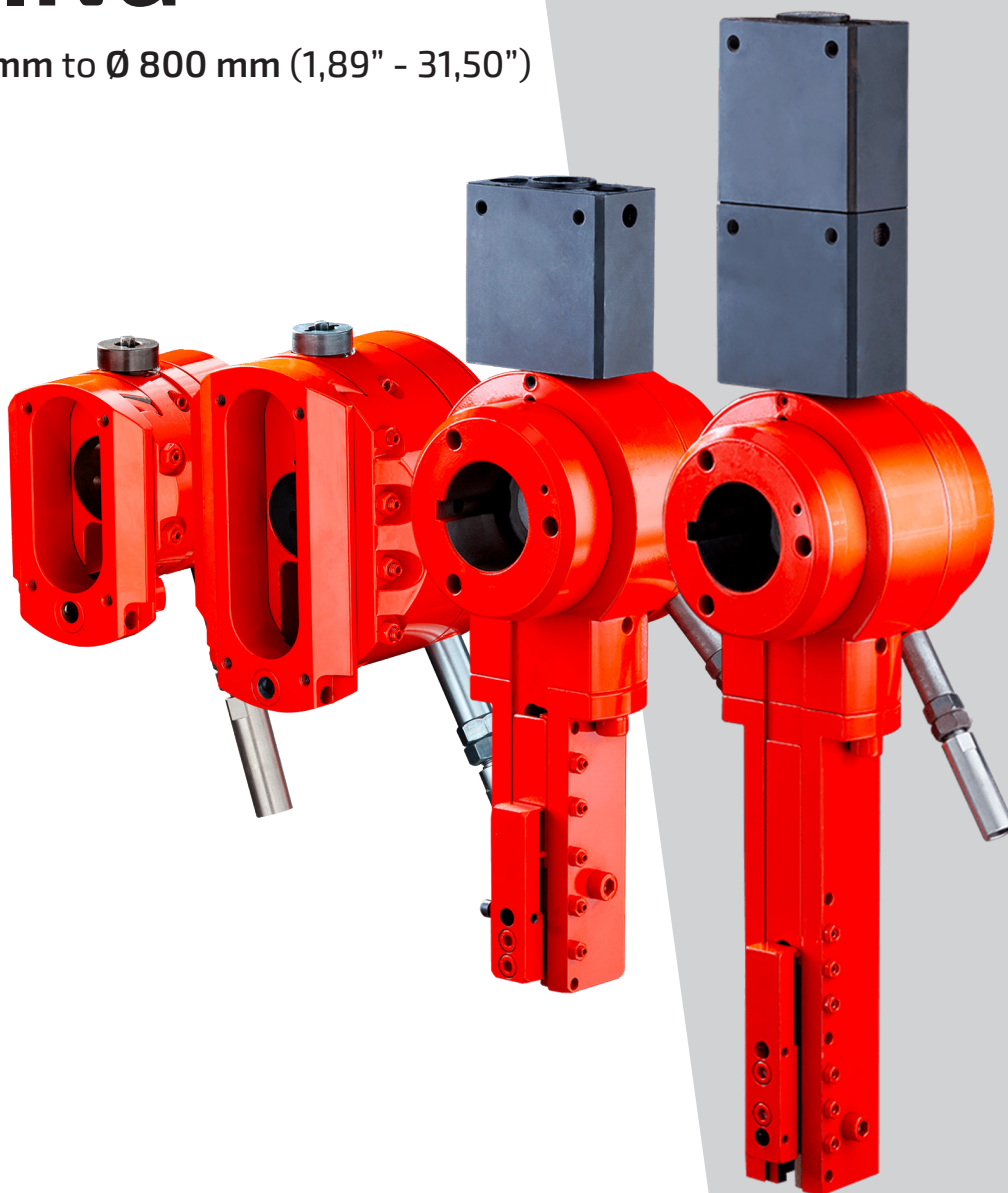


# KIT FACING

from  $\emptyset$  48 mm to  $\emptyset$  800 mm (1,89" - 31,50")



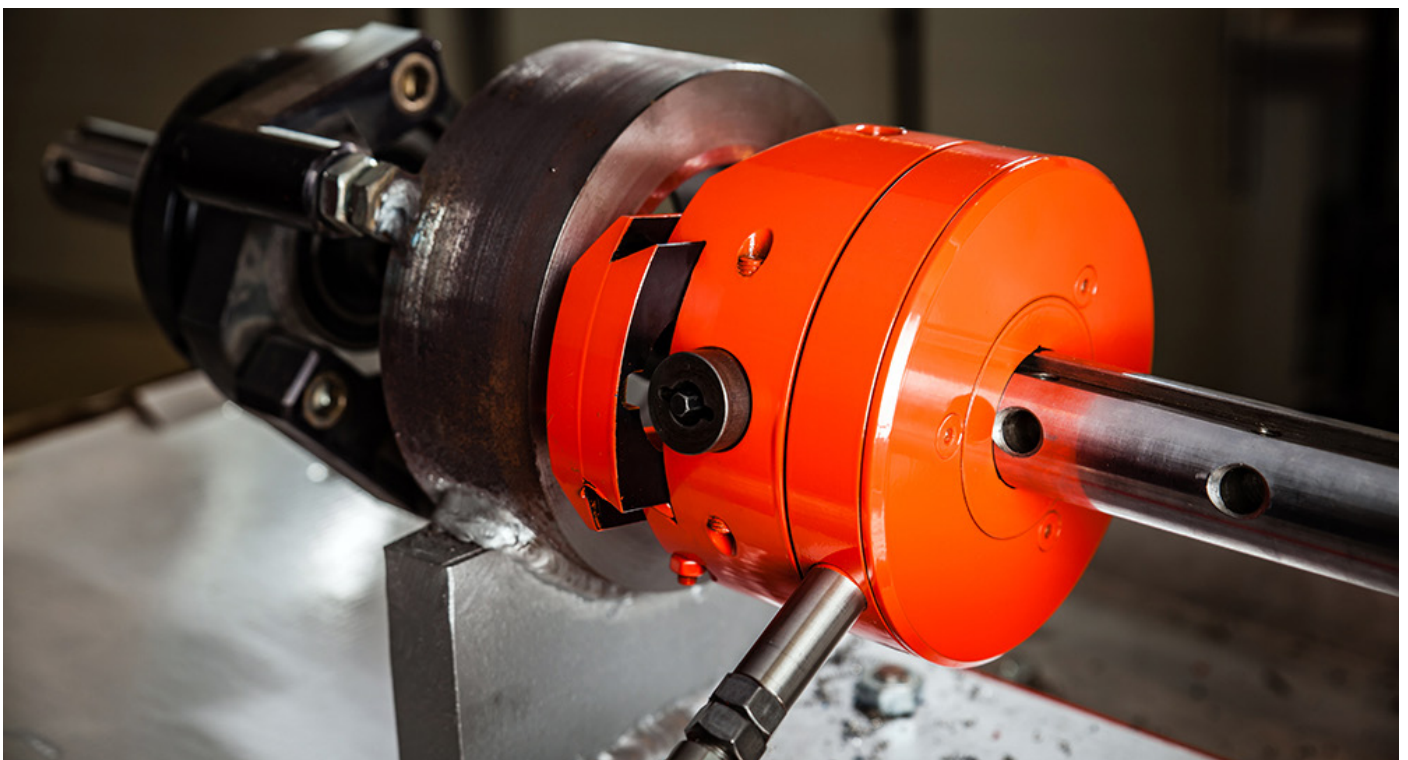
# FACING

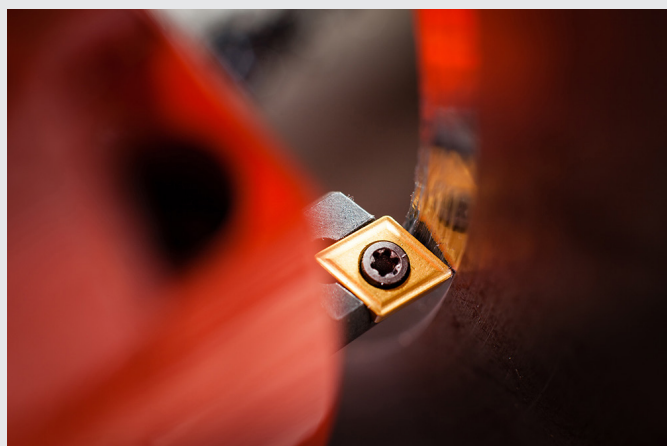
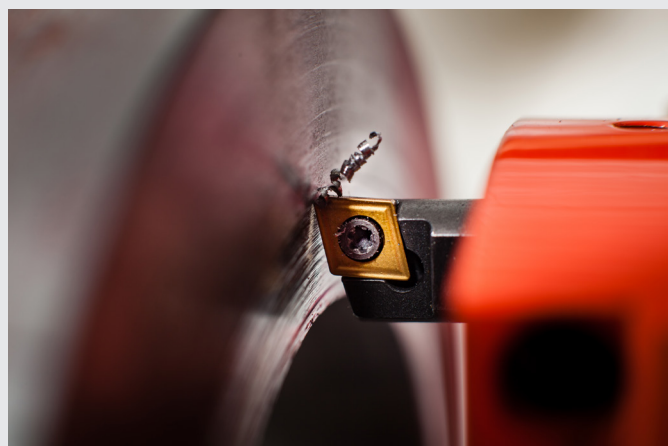
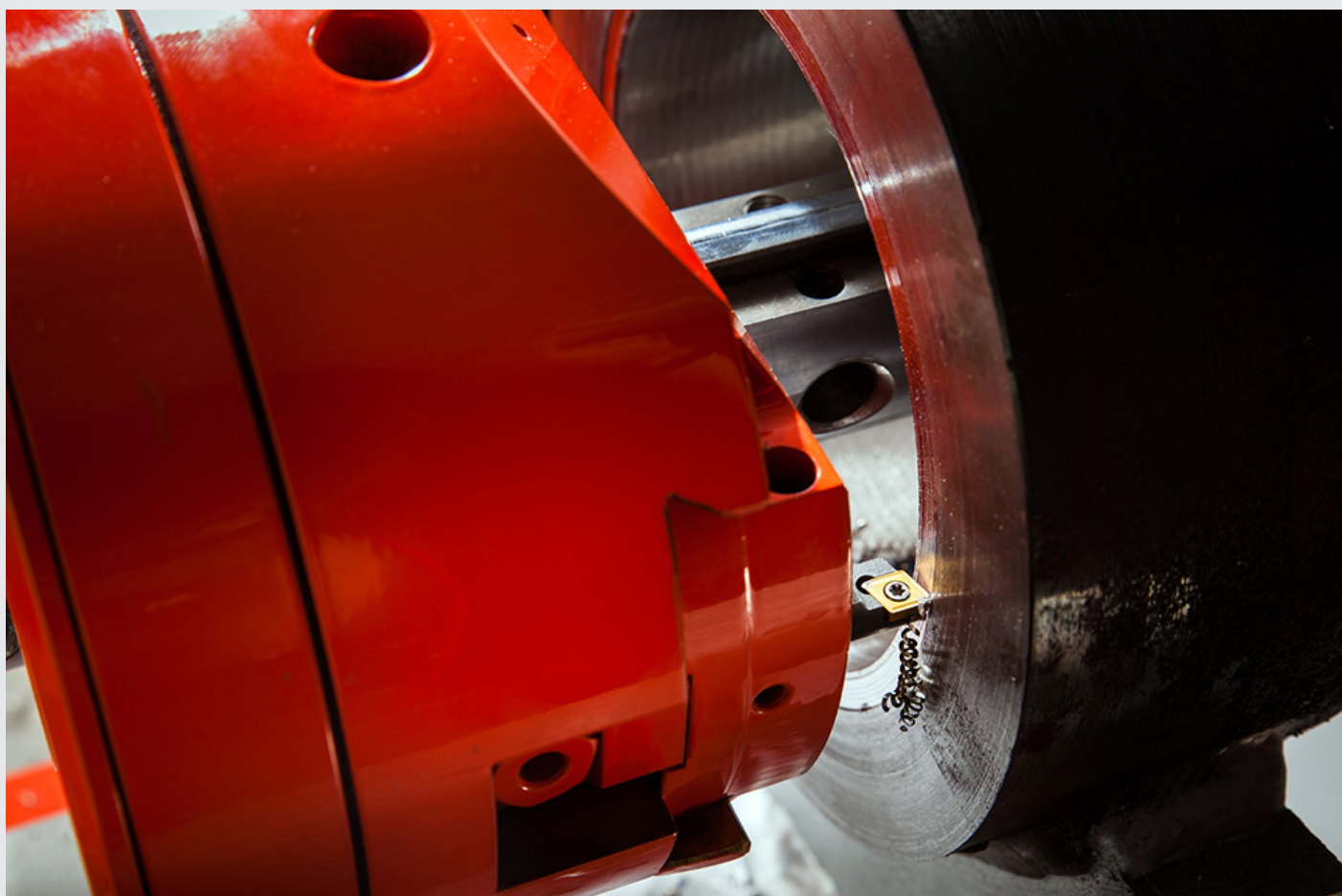
The kit has been designed to give great versatility of use to the portable boring machines of the **Supercombinata** series. It consists in a facing head allowing turning operations on orthogonal planes and the creation of seats for seeger circlips and o-rings, by using standard cutting-edges from **Ø 48 mm to Ø 800 mm**.

## MODELS

|           |                                       |                                  |
|-----------|---------------------------------------|----------------------------------|
| KES00186* | EASY / EASY Compact / SC1 / SC2 / SC3 | Ø 48 - 255 mm (1,89" - 10,04")   |
| KES00200* | SC1 / SC2 / SC3                       | Ø 56 - 400 mm (2,20" - 15,75")   |
| KES00363  | SC2 / SC3                             | Ø 228 - 500 mm (8,98" - 19,68")  |
| KES00364  | SC3                                   | Ø 376 - 800 mm (14,80" - 31,50") |

\*SC2 / SC3 compatible by using KEP00687



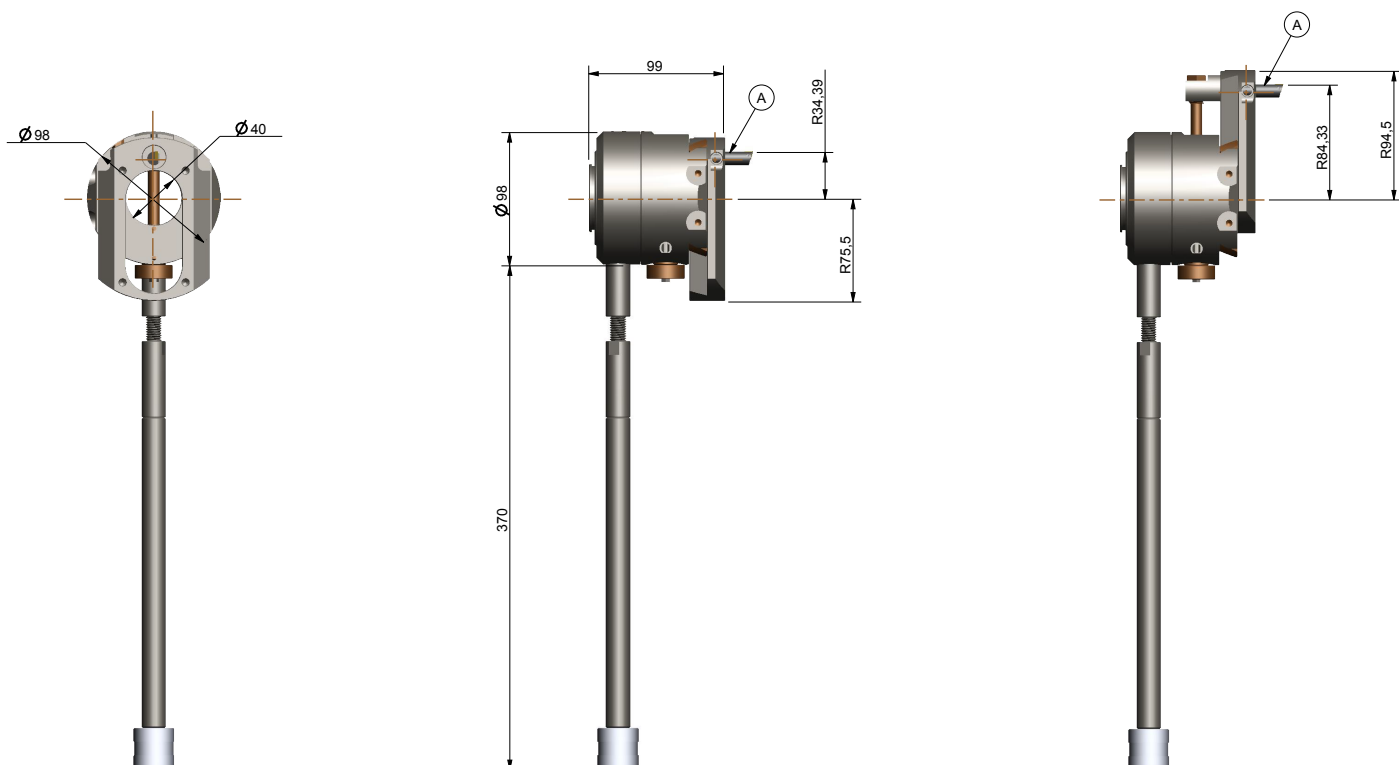


## KES00186

from min d. 48 mm to max d. 255 mm

With tool as in (fig. A): from min d. 70 mm to max d. 165 mm

By inverting the tool as in (fig. A) from max d. 146 mm to min d. 48 mm

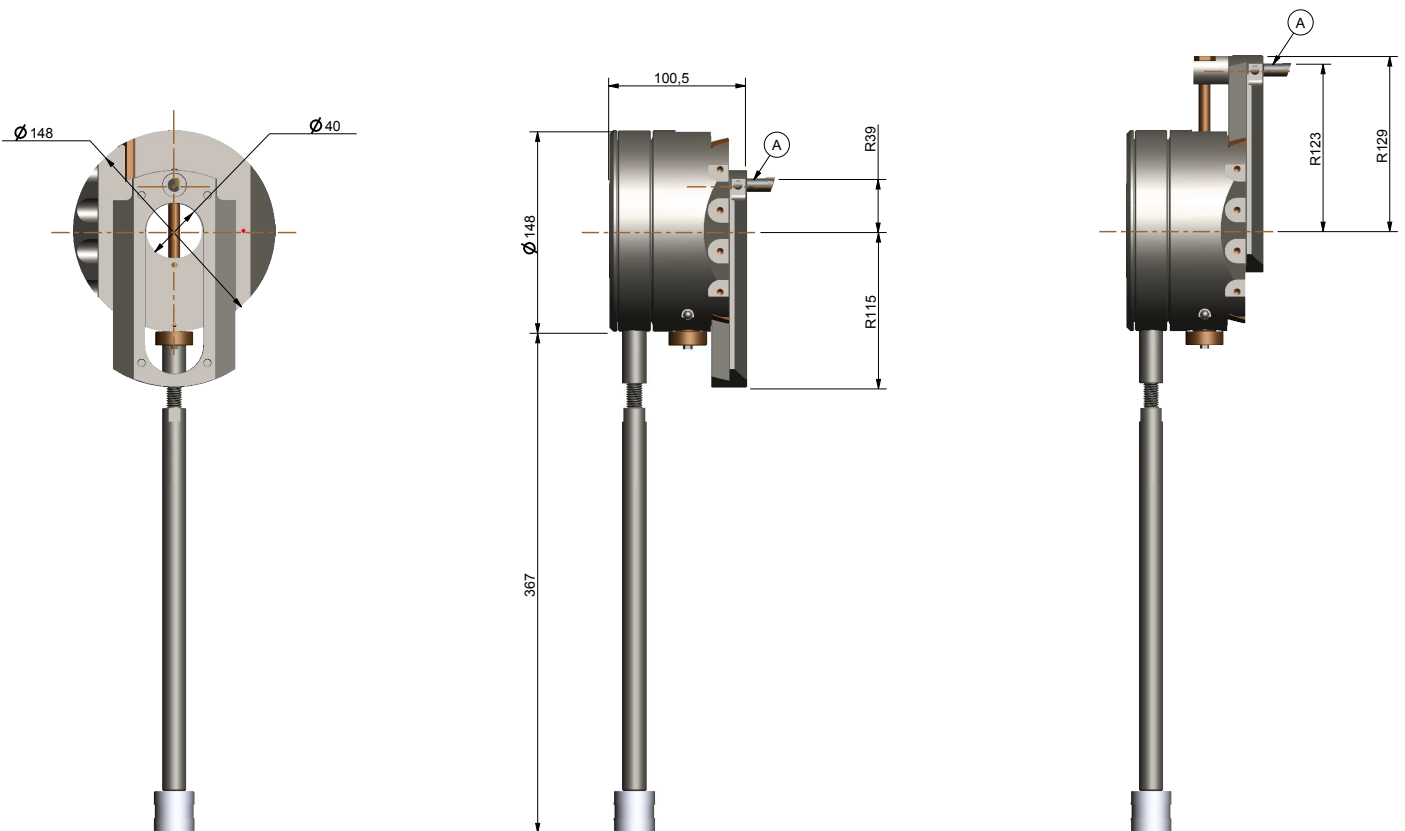


## KES00200

from min d. 56 mm to max d. 400 mm

With tool as in (fig. A): from min d. 80 mm to max d. 240 mm

By inverting the tool as in (fig. A) from max d. 224 mm to min d. 56 mm

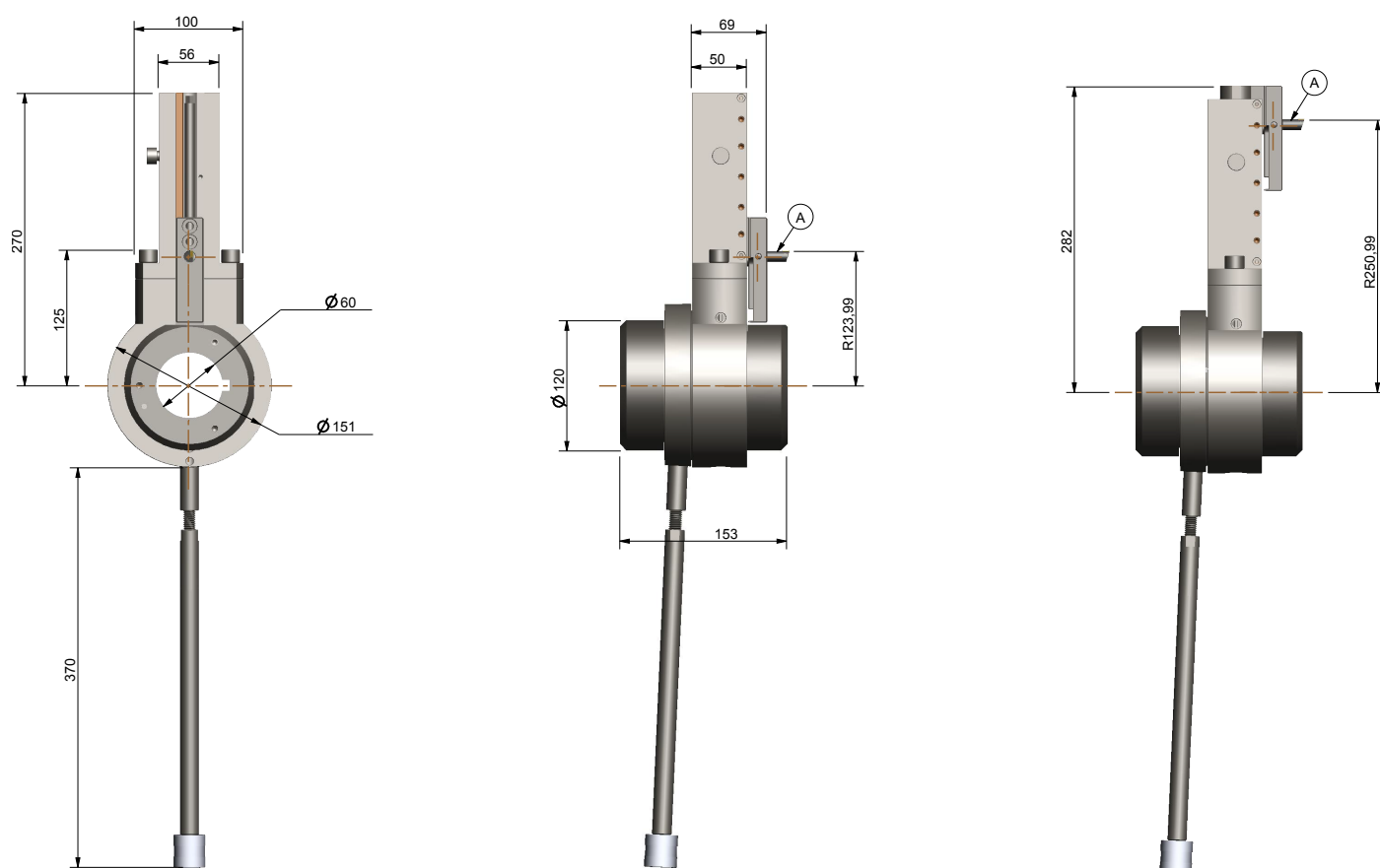


## KES00363

from min d. 228 mm to max d. 500 mm

With tool as in (fig. A): from min d. 250 mm to max d. 500 mm

By inverting the tool as in (fig. A) from max d. 480 mm to min d. 228 mm

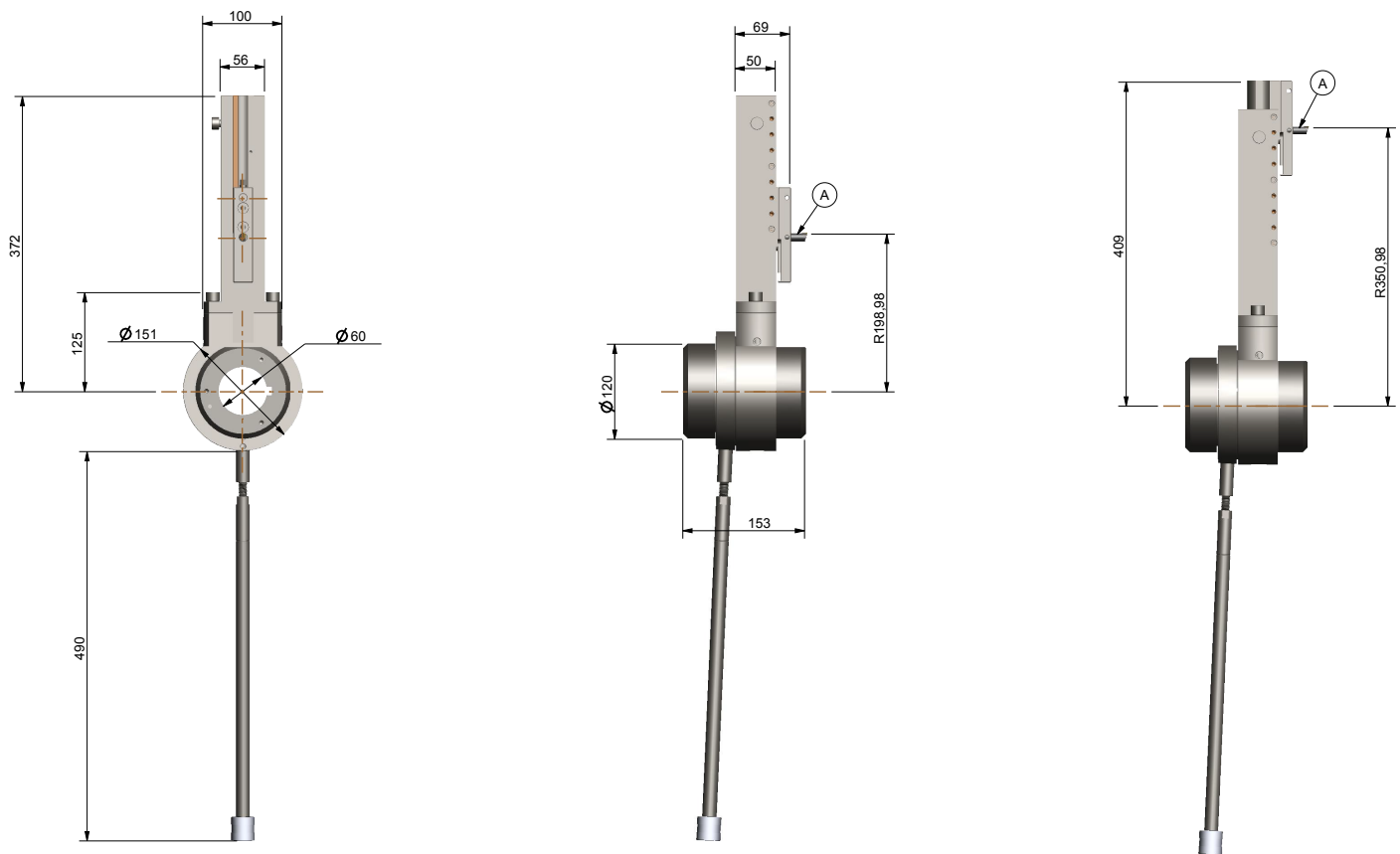


## KES00364

from min d. 376 mm to max d. 800 mm

With tool as in (fig. A): from min d. 400 mm to max d. 700 mm

By inverting the tool as in (fig. A) from max d. 680 mm to min d. 376 mm





Elsa Srl  
Località La Petrizia SS 106  
88050 Sellia Marina (CZ) - Italia  
Tel: (+39) 0961 962854  
Fax: (+39) 0961 968716  
info@elsasrl.com

[www.elsasrl.com](http://www.elsasrl.com)

EN

KIT FACING