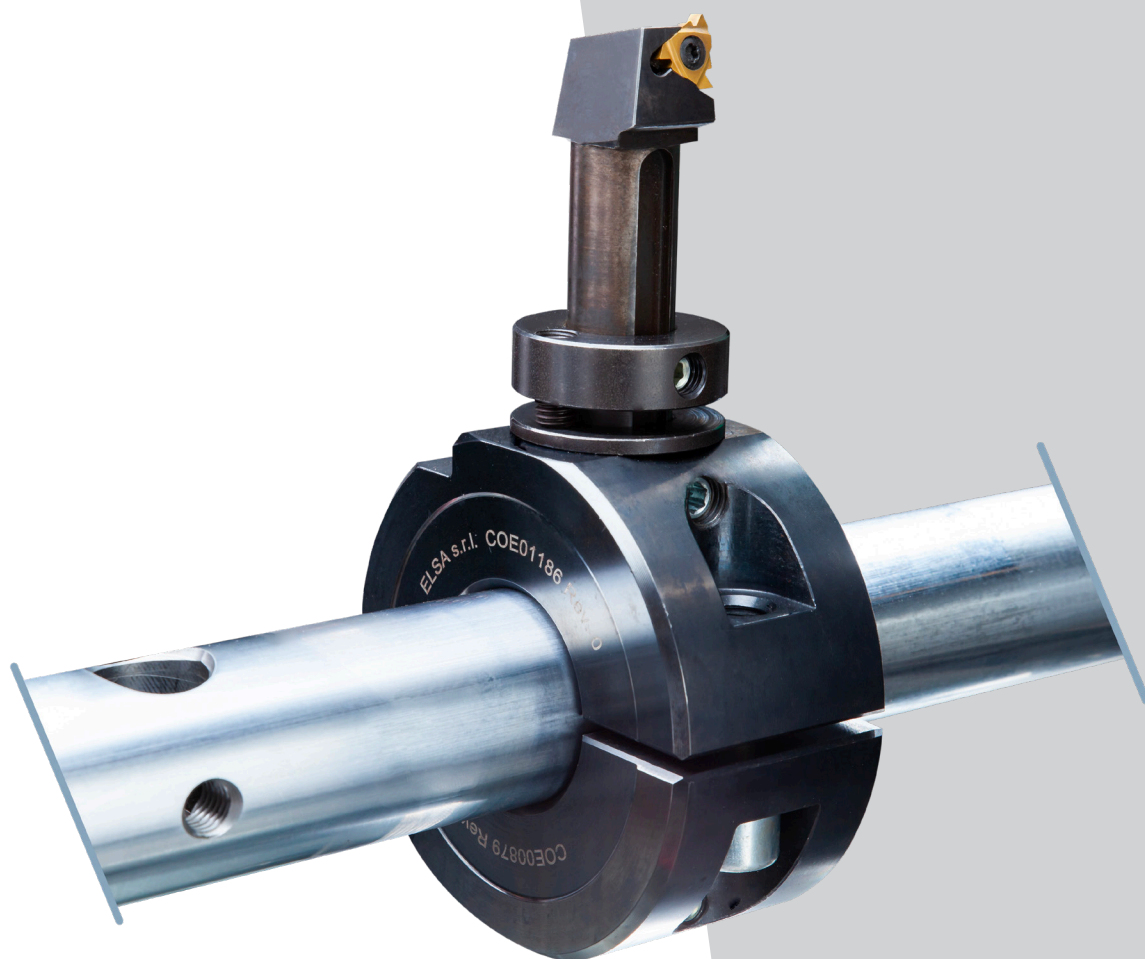


KIT
**INTERNAL
THREADING**

from \emptyset 120 mm to \emptyset 350 mm (4,72" - 13,78")



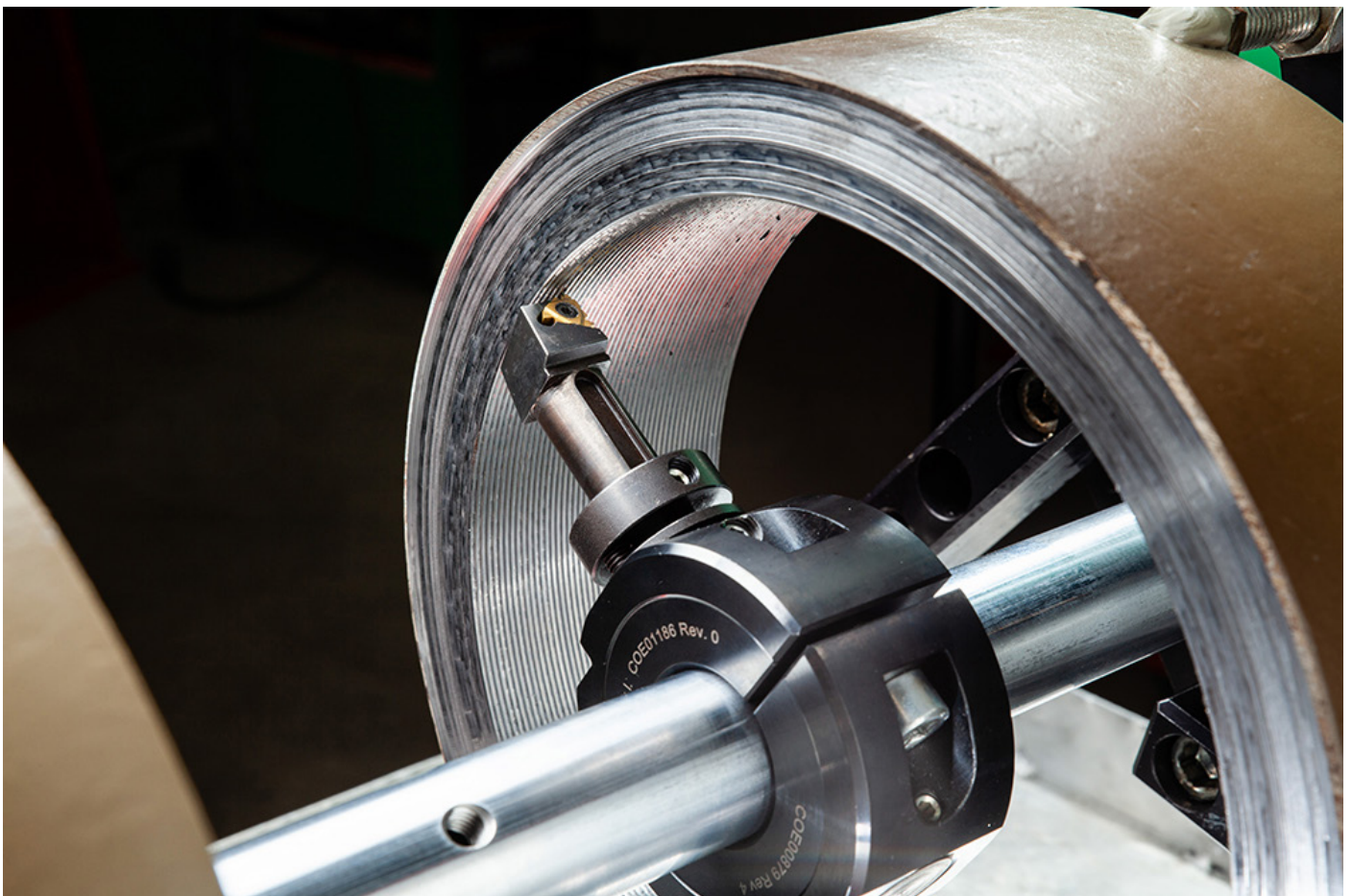
INTERNAL THREADING



The kit has been designed to give great versatility of use to the portable boring machines of the **Supercombinata** series, by allowing to perform internal threading from **Ø 120 mm** to **Ø 350 mm**.

MODELS

KFL00928	SC1	Ø 120 - 350 mm (4,72" - 13,78")
KFL00927	SC2 / SC3	Ø 120 - 350 mm (4,72" - 13,78")





KFL00927

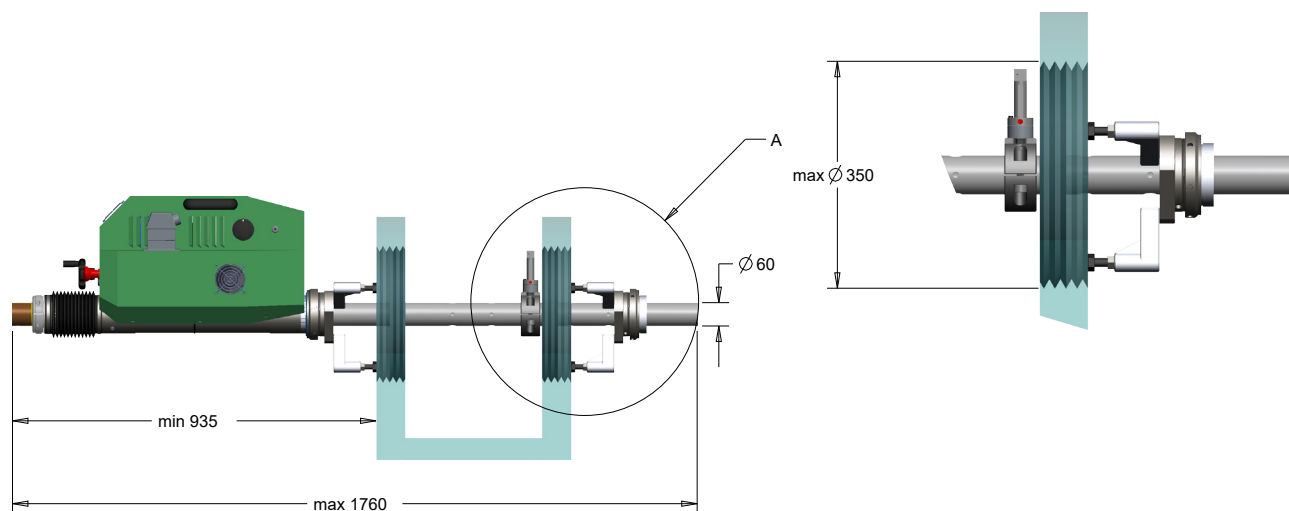
Working range:

D.min = 120 mm;

D.max = 350 mm;

Max. machinable length = 550 mm

Possible ISO metric threads: 1,75 - 2 - 2,5 - 3



KFL00928

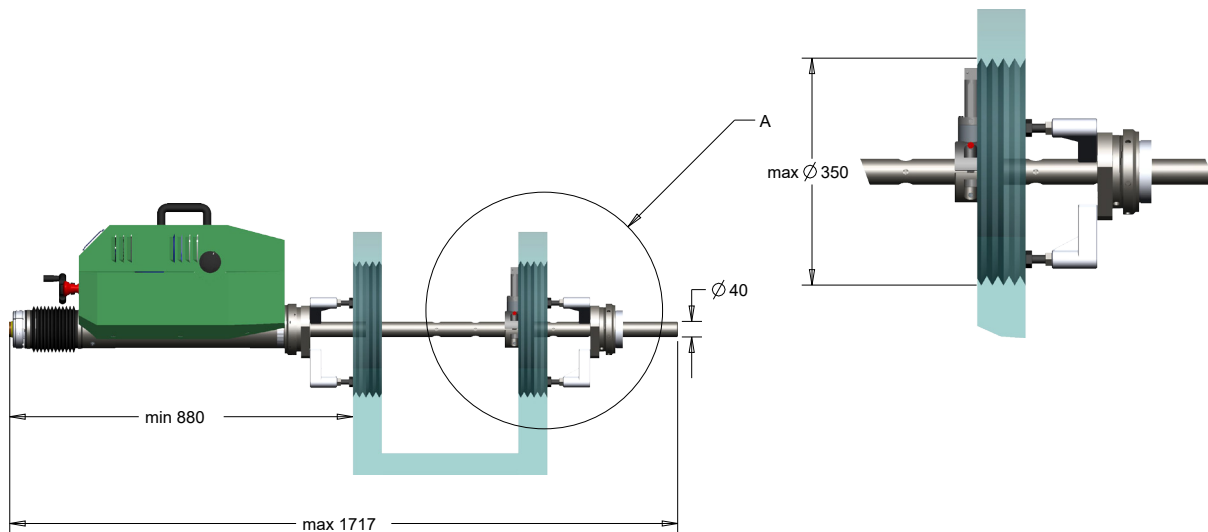
Working range:

D.min = 120 mm;

D.max = 350 mm;

Max. machinable length = 550 mm

Possible ISO metric threads: 1,75 - 2 - 2,5





Elsa Srl
Località La Petrizia SS 106
88050 Sellia Marina (CZ) - Italia
Tel: (+39) 0961 962854
Fax: (+39) 0961 968716
info@elsasrl.com

www.elsasrl.com

EN

INTERNAL THREADING