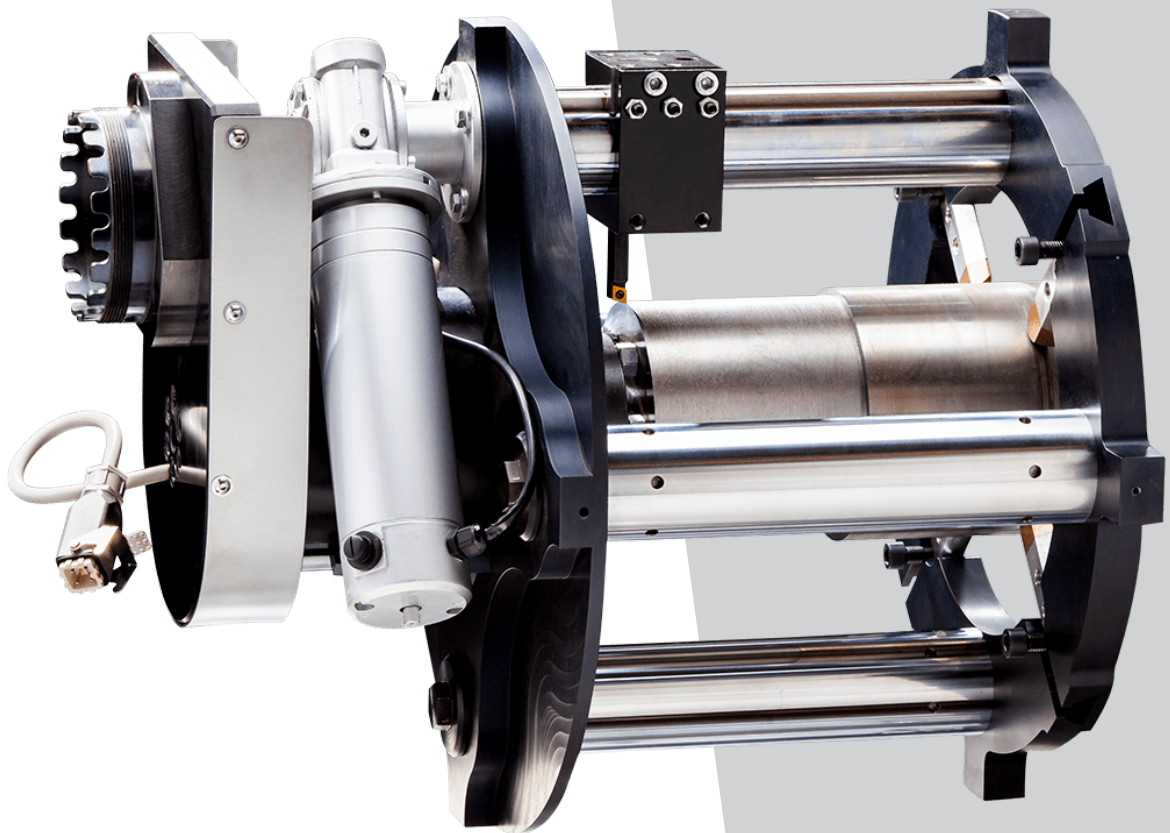


KIT
OD
MACHINING

from \emptyset 100 mm to \emptyset 300 mm (3,94" - 11,81")

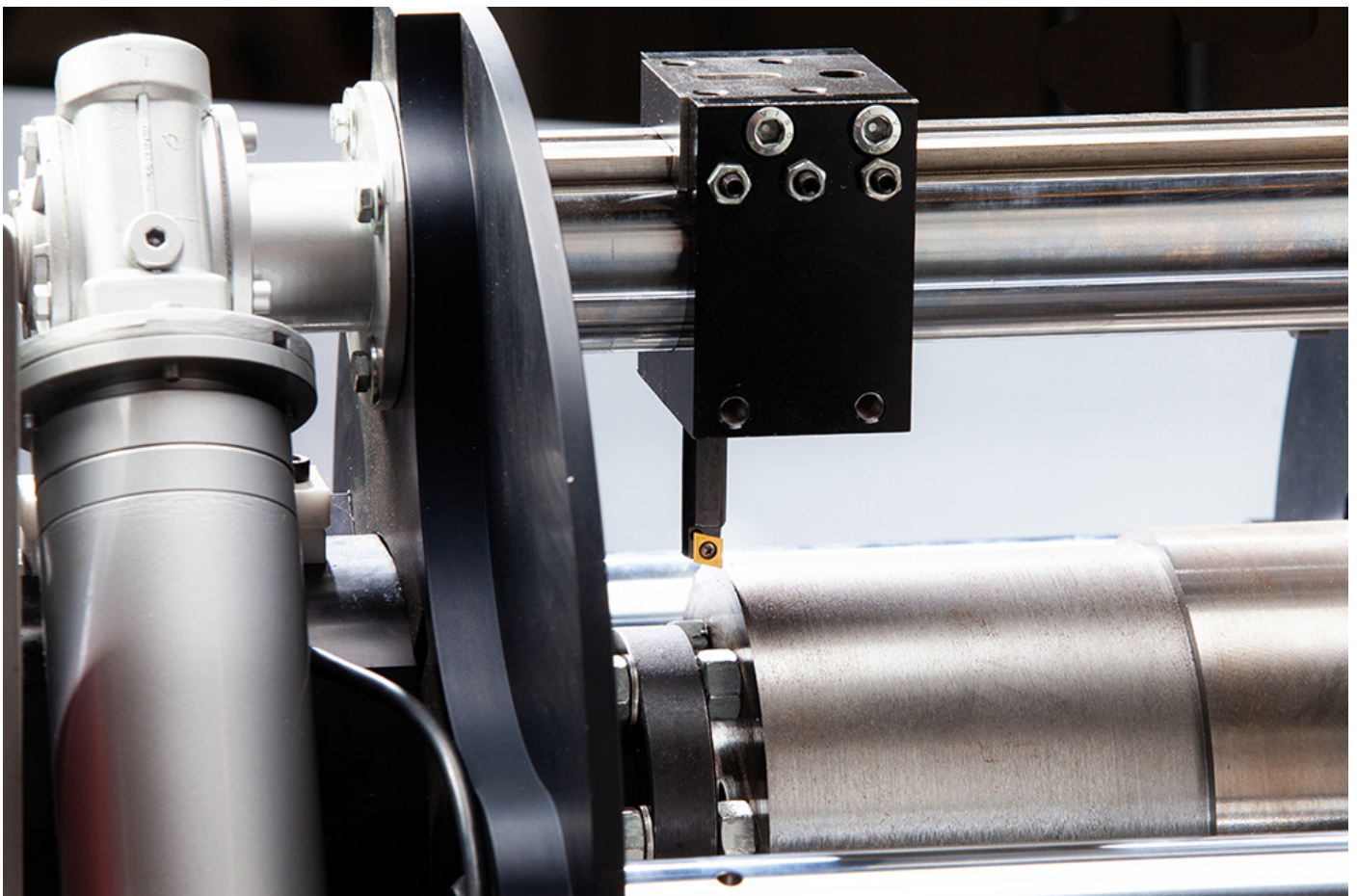


OD MACHINING

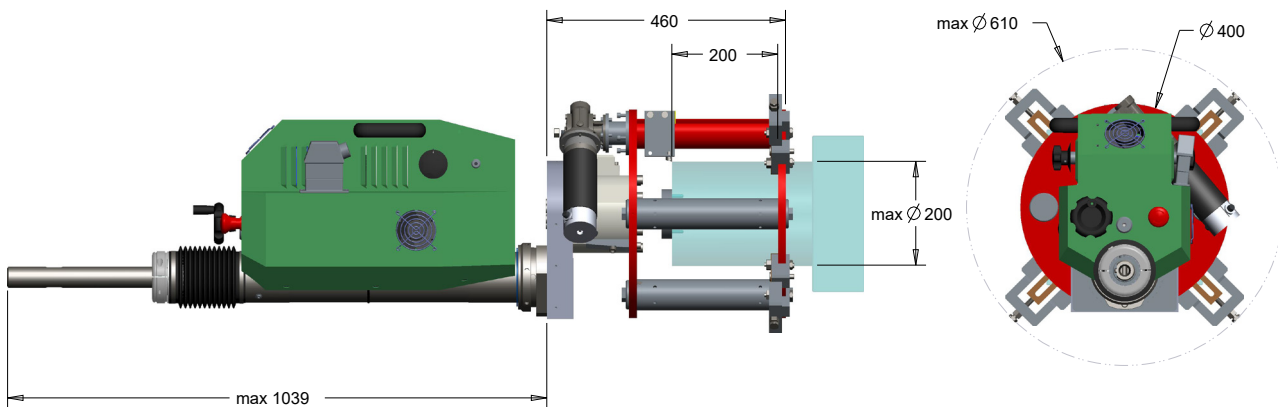
The kit has been designed to give great versatility of use to the portable boring machines of the **Supercombinata** series, allowing to perform cylindrical turning and overlay welding from **Ø 100 to 300 mm**.

MODELS

KEL00202	EASY / EASY Compact / SC1 / SC2 / SC3	Ø 100 - 200 mm - P. 200 mm (3,94" - 7,88")
KEL00203	SC1 / SC2 / SC3	Ø 150 - 300 mm - P. 300 mm (5,90" - 11,81")



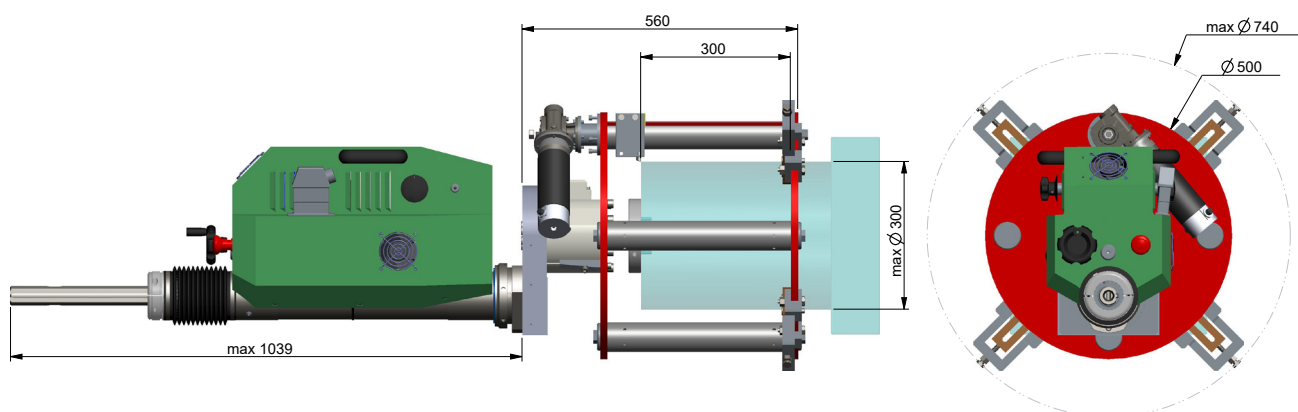
KEL00202



Working range

d. min= 100 mm \ d. max= 200 mm \ Stroke= 200 mm

KEL00203



Working range

d. min= 150 mm \ d. max= 300 mm \ Stroke= 300 mm



Elsa Srl
Località La Petrizia SS 106
88050 Sellia Marina (CZ) - Italia
Tel: (+39) 0961 962854
Fax: (+39) 0961 968716
info@elsasrl.com

www.elsasrl.com

EN

OD MACHINING