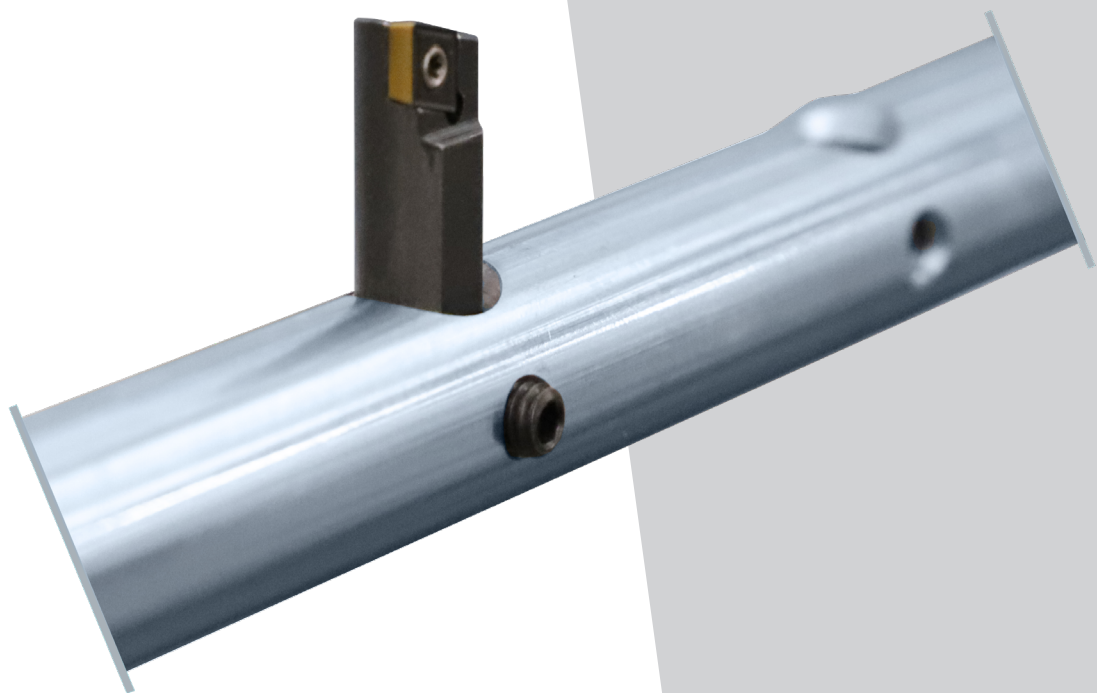


KIT
**BORING
REDUCTION**

from \emptyset 22 mm to \emptyset 160 mm (0,87" - 6,30")



BORING REDUCTION

The reduction kits have been designed to give great versatility of use to the portable line boring machines of the Supercombinata series. With the addition of **Ø 20, 30 or 40 mm** boring shafts, the standard working range can be reduced to perform boring jobs from **Ø 22 mm**.

MODELS

KEP00187	EASY/ EASY Compact / SC1	Ø 22 - 44 mm (0,87" - 1,73")
KEP00188	EASY/ EASY Compact / SC1	Ø 32 -70 mm (1,26" - 2,76")
KEP00594	SC2 / SC3	Ø 22 - 44 mm (0,87" - 1,73")
KEP00593	SC2 / SC3	Ø 32 - 70 mm (1,26" - 2,76")
KEP00688	SC2 / SC3	Ø 42 - 160 mm (1,65" - 6,30")
KEP00687	SC2 / SC3	for jobs with KES00186/KES00200





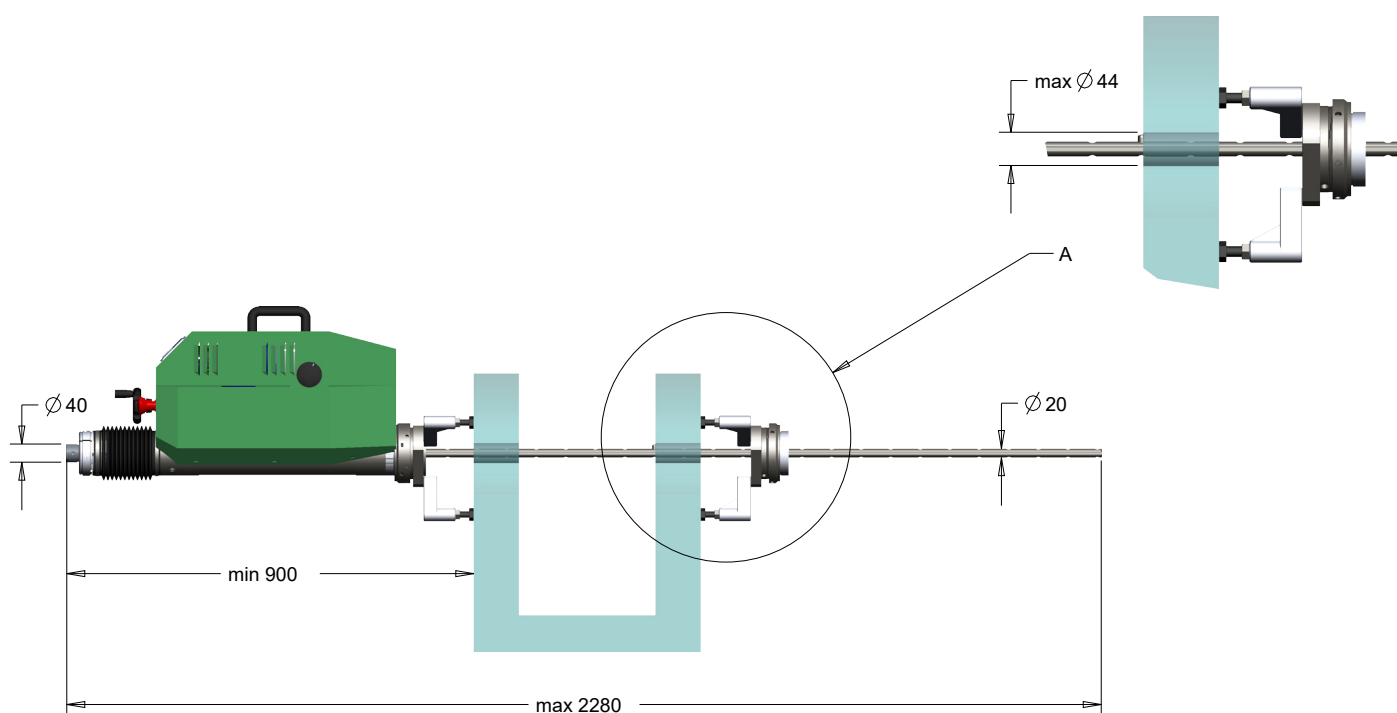
KEP00187

REDUCTION FROM $\varnothing 40$ TO 20 MM

Working range:

D.min = 22 mm;

D.max = 44 mm;



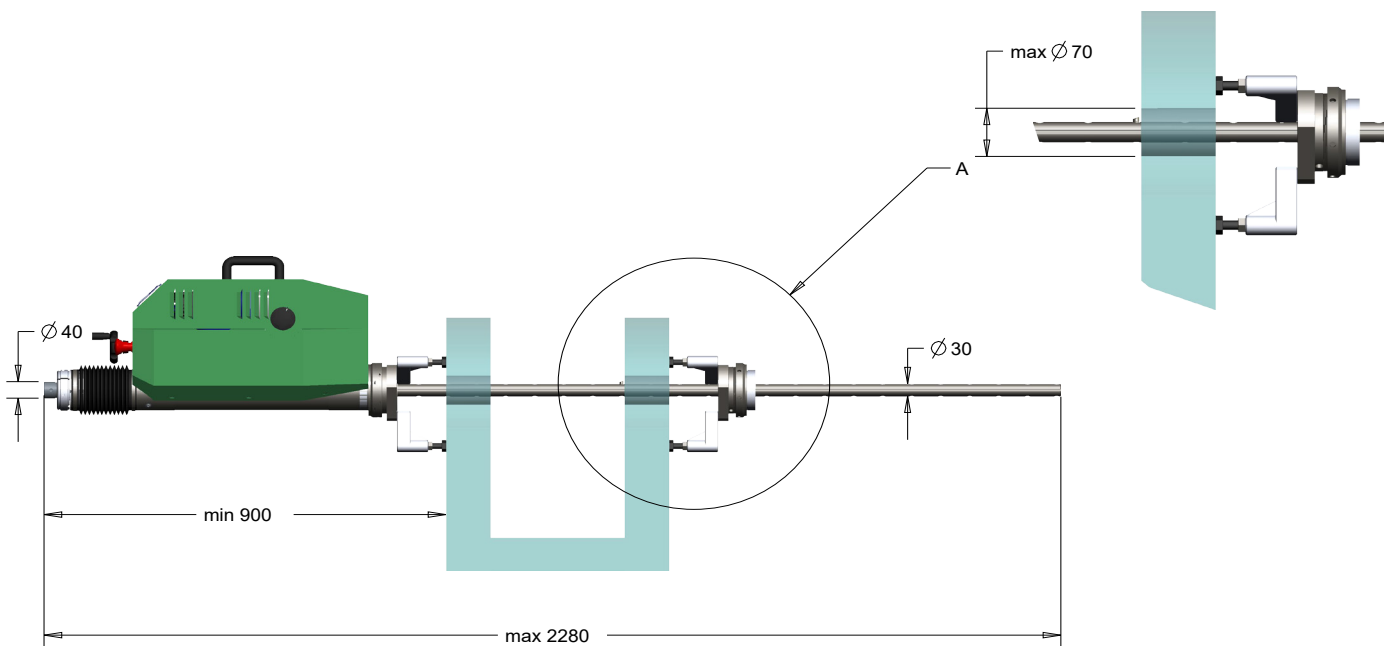
KEP00188

REDUCTION FROM \varnothing 40 TO 30 MM

Working range:

D.min = 32 mm;

D.max = 70 mm;



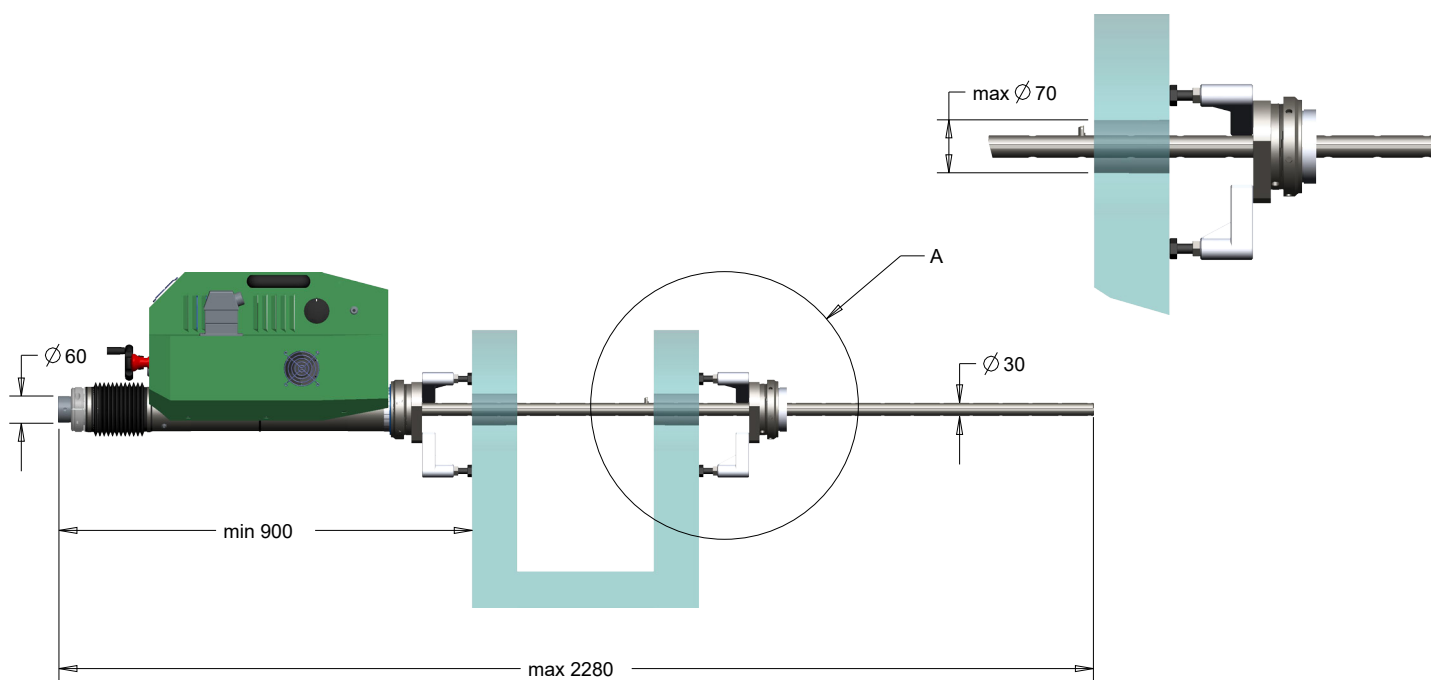
KEP00593

REDUCTION FROM $\varnothing 60$ TO 30 MM

Working range:

D.min = 32 mm;

D.max = 70 mm;



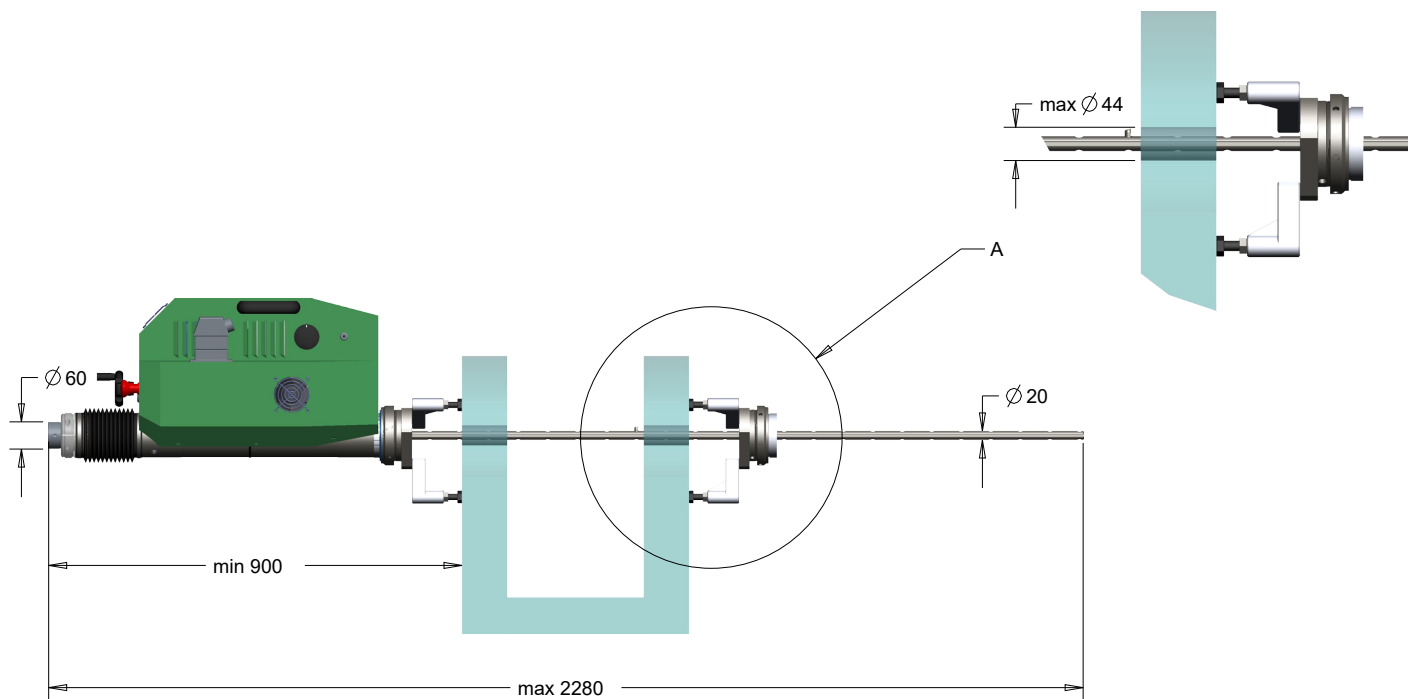
KEP00594

REDUCTION FROM $\varnothing 60$ TO 20 MM

Working range:

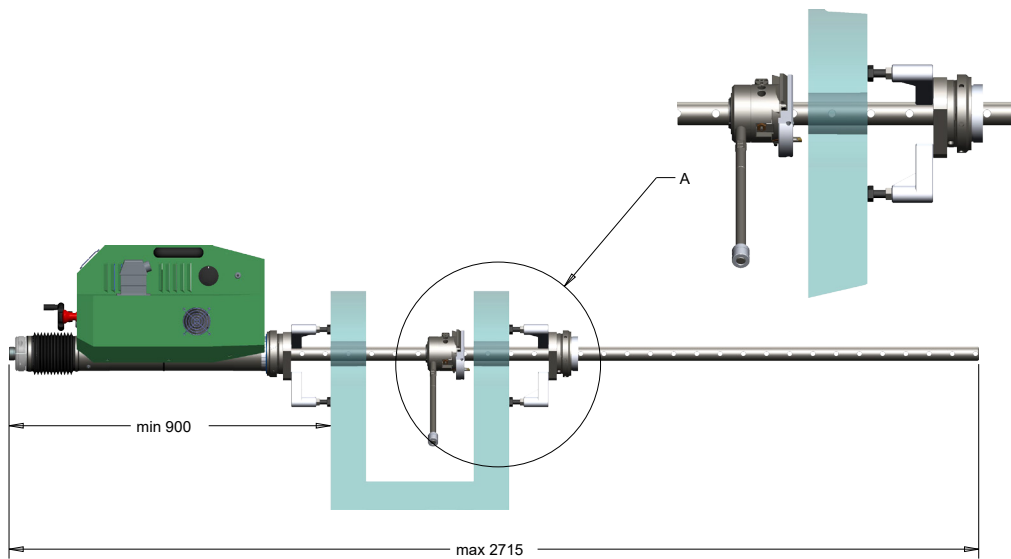
D.min = 22 mm;

D.max = 44 mm;



KEP00687

Necessary for SC2/SC3 with
facing kits: KES00186 / KES00200



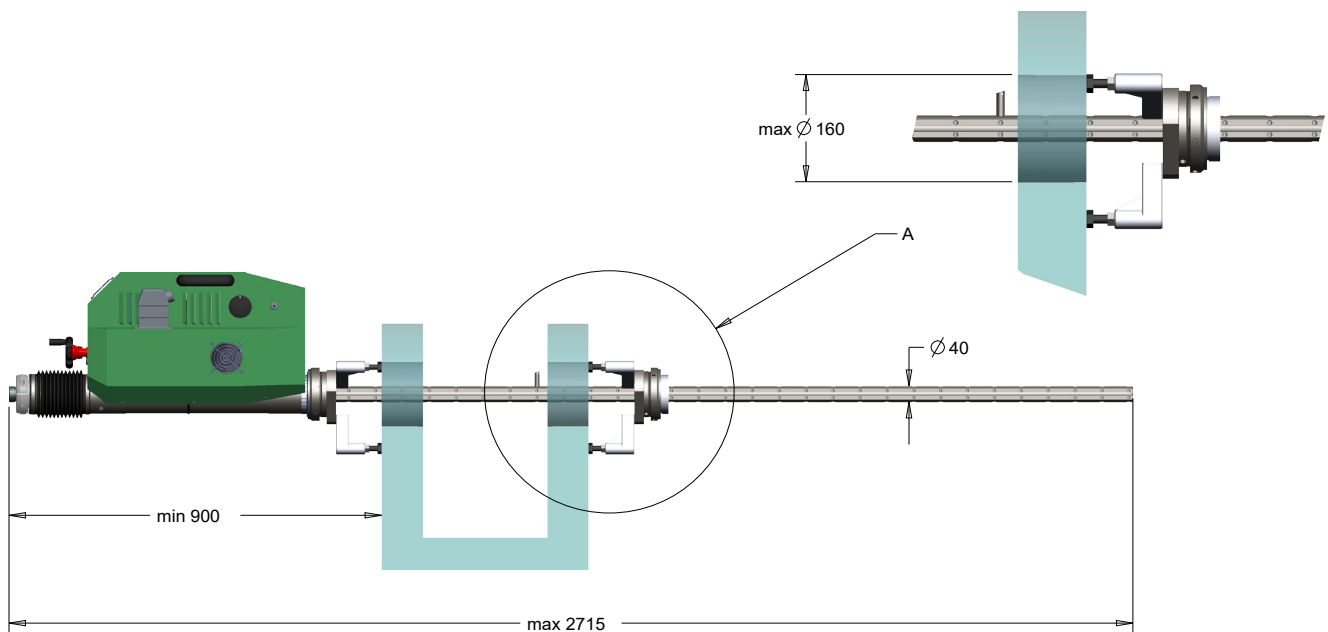
KEP00688

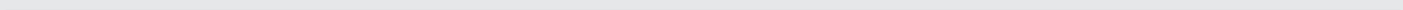
REDUCTION FROM \varnothing 60 TO 40 MM

Working range:

D.min = 42 mm;

D.max = 160 mm;









Elsa Srl
Località La Petrizia - SS 106
88050, Sellia Marina (CZ) - Italia
Tel: (+39) 0961 962854
Fax: (+39) 0961 968716
info@elsasrl.com

www.elsasrl.com

EN

KIT BORING REDUCTION